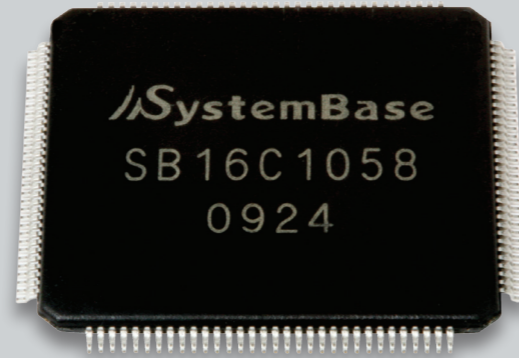


SB16C1058

Octal UART with 256-byte TX/RX FIFOs



» Main Features

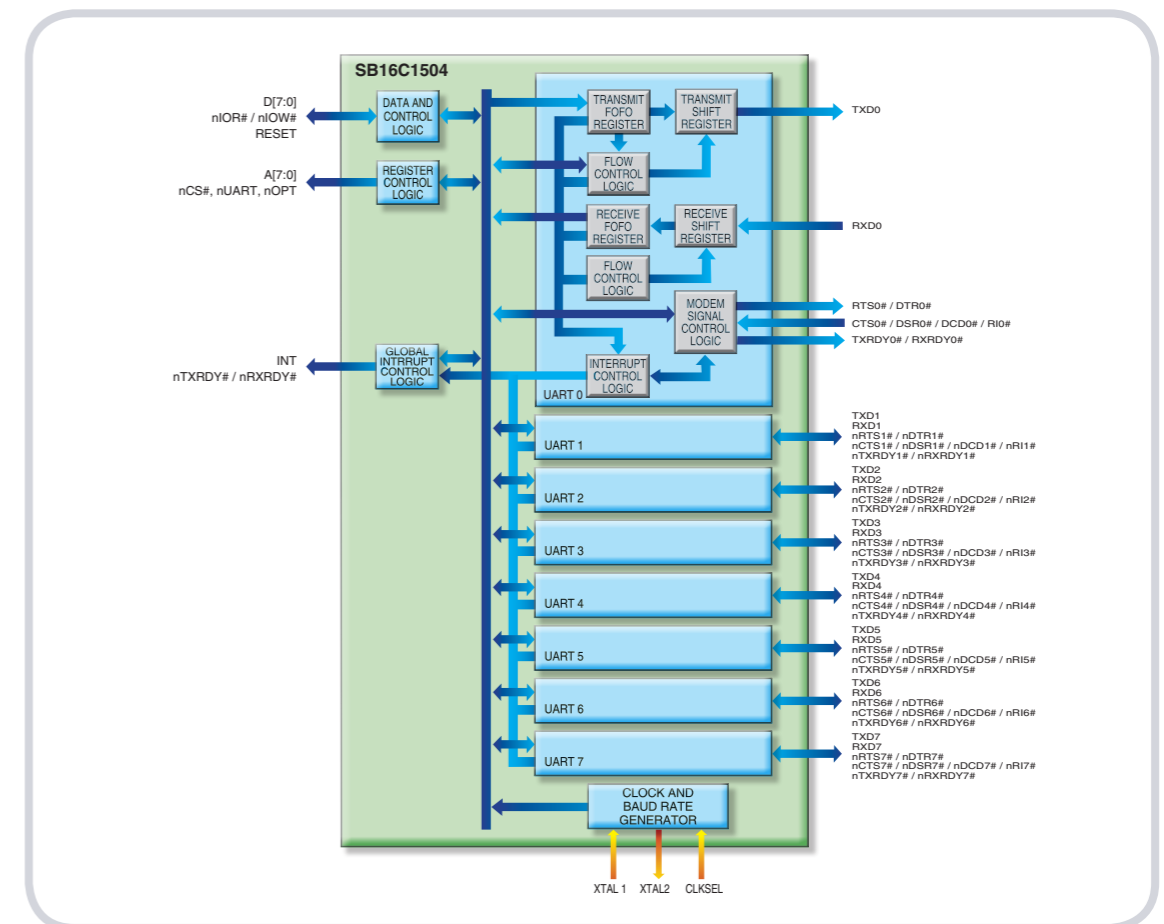
- 256-Byte TX/RX Deep FIFOs
- Dedicated two Control Pins for RS422 and RS485 Bus Auto Control
- Data Rate up to 5.3Mbps
- Global Interrupt and Interrupt Vector Processing
- H/W and S/W flow control (Auto-RTS/CTS and Xon/Xoff)
- Expandable up to 32 ports without any glue logics in the MIO Bus

SB16C1058

Features

- Eight independent UART with TX/RX FIFO of 256-bytes (Deep FIFO)
- Data rates of up to 5Mbps
- Built-In SystemBase's MIO control logic and registers
- Extendable to 32-port Serial Multiport without any glue-logics
- Software / Hardware flow control (Xon/Xoff & Auto-RTS/Auto-CTS)
- Global interrupt Mask/Poll register
- Supports Xoff re-transmit & Xon-any character
- Dedicated two Control Pins for RS422/485 Auto Toggling
- Fast UART Response Time, 24ns for IOR & IOW operation
- Fast Service using Global Interrupt and Interrupt Vector Processing
- Sleep mode (low operating current)
- 3.3V I/O and 5V Tolerance, 128-pin TQFP (20x20 body)

Block Diagram



Application

- Multi-port RS-232/RS-422/RS-485 Cards
- Remote Access Servers
- Factory Automation and Process Control
- Ethernet Network to Serial Ports
- Network Management
- Point-of-Sale Systems

Ordering Information

Ordering Information

Part Number	SB16C1058-TQ
Package	128-pin TQFP (20x20)
Operating Temperature Range	-40°C to +85°C
Device Status	Active

Sales Inquiry : sales@sysbas.com / **Technical Support** : tech@sysbas.com