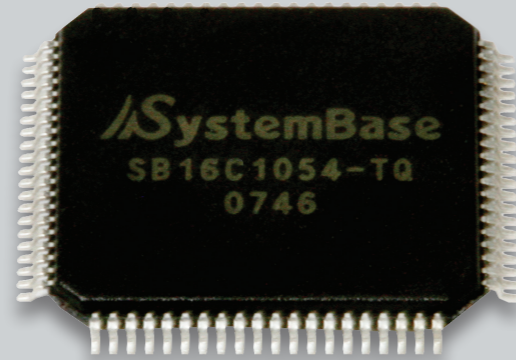


SB16C1054

Quad UART with 256-byte TX/RX FIFOs



» Main Features

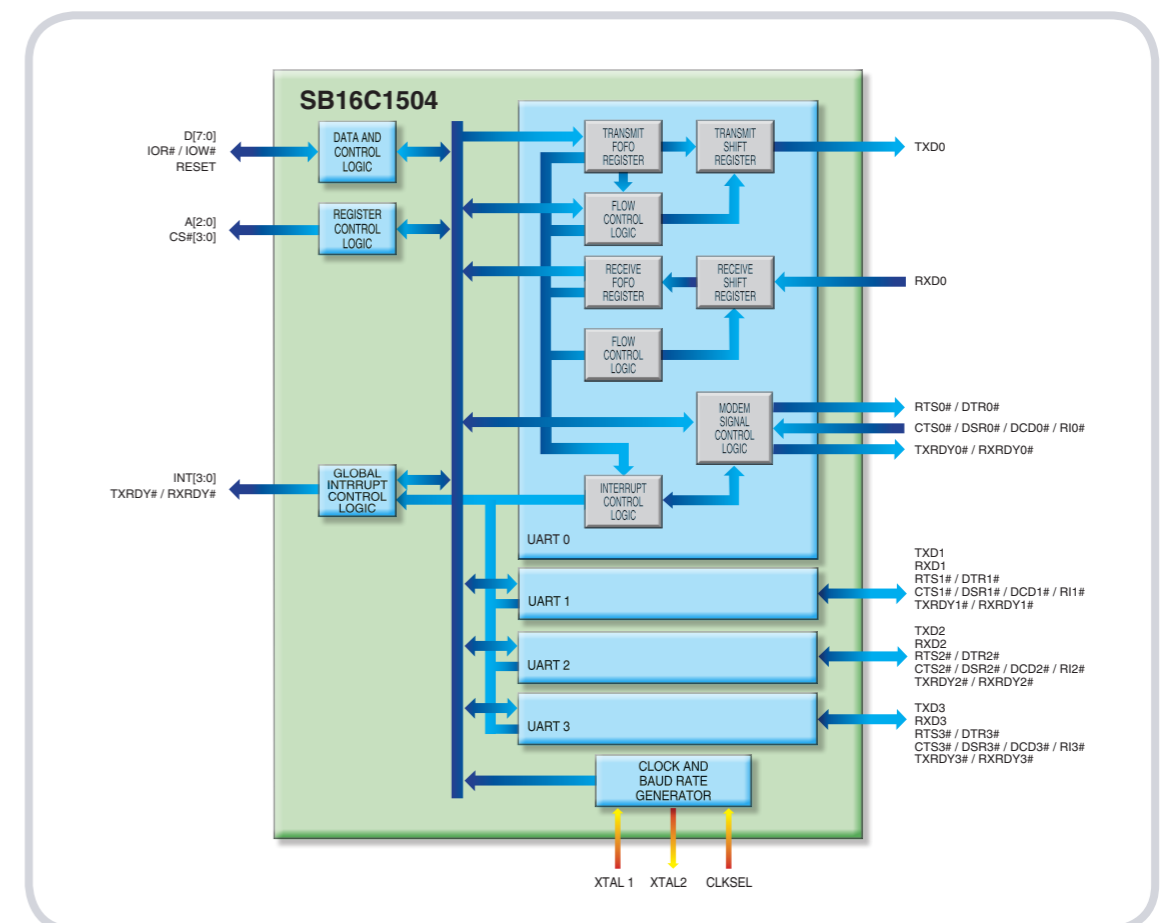
- 256-Byte Tx/Rx Deep FIFOs
- Dedicated two Control Pins for RS422 and RS485 Bus Auto Control
- Data Rate up to 5.3Mbps
- Global Interrupt and Interrupt Vector Processing
- H/W and S/W flow control (Auto-RTS/CTS and Xon/Xoff)

SB16C1054

Features

- Four independent UART with TX/RX FIFO of 256-bytes (Deep FIFO)
- Register Set Compatible to 16C550 and 16C650
- Data rates of up to 5Mbps
- Programmable TX/RX FIFO trigger level for DMA and interrupt generation
- Software / Hardware flow control (Xon/Xoff & Auto-RTS/Auto-CTS)
- Global interrupt Mask/Poll register
- Supports Xoff re-transmit & Xon-any character
- Dedicated two Control Pins for RS422/485 Auto Toggling
- Sleep mode (low operating current)
- Programmable serial interface characteristics
 - 5, 6, 7 or 8-bit characters
 - Even, odd or no parity bit generation and detection
 - 1, 1.5 or 2 stop bit generation and detection
- False start bit detection & Line break generation and detection
- Internal test and loop-back capabilities
- Fully prioritized interrupt system controls
- Modem control functions (RTS#, CTS#, DTR#, DSR#, DCD# and RI#)
- 3.3V I/O and 5V Tolerance
- 80-pin TQFP & 68-pin PLCC

Block Diagram



Application

- Multi-port RS-232/RS-422/RS-485 Cards
- Remote Access Servers
- Factory Automation and Process Control
- Ethernet Network to Serial Ports
- Network Management
- Point-of-Sale Systems

Ordering Information

Ordering Information

| | | |
|-----------------------------|----------------|----------------|
| Part Number | SB16C1054-TQ | SB16C1054-PL |
| Package | 80-pin TQFP | 68-pin PLCC |
| Operating Temperature Range | -40°C to +85°C | -40°C to +85°C |
| Device Status | Active | Active |

Sales Inquiry : sales@sysbas.com / **Technical Support :** tech@sysbas.com