

SB4002A

PCI to Local Bus
Bridge Controller



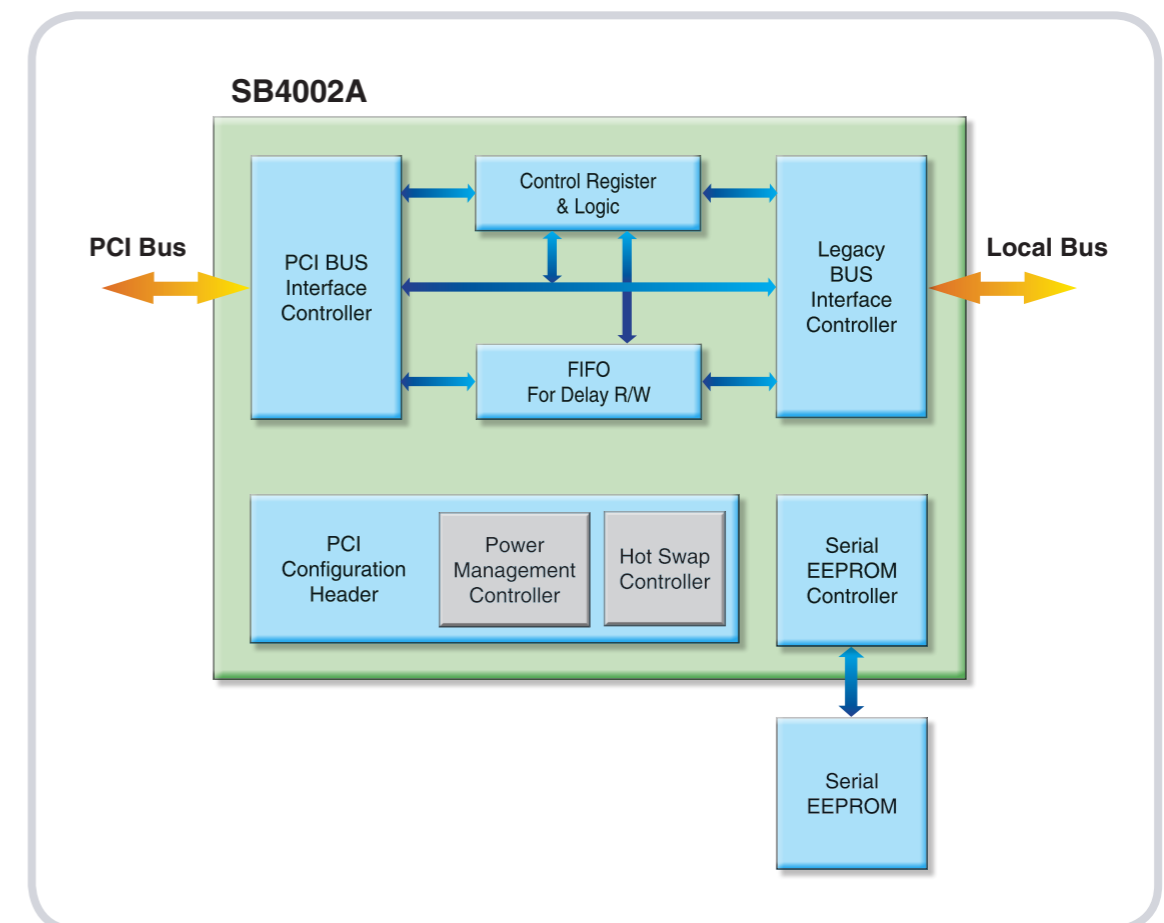
» Main Features

- Connects Local Legacy Bus and PCI Bus
- Supports 32bit Bus and PCI 33/66 MHz bus speed
- Supports ISA like Local Legacy Bus (transaction speed up to 66MHz)
- PCI Burst Transfers up to 264MBytes/sec
- CompactPCI and CompactPCI Hot Swap

Features

- PCI Local Bus Spec Rev 2.3 compliant
- PCI Burst Transfers up to 264Mbytes/sec (32bit Bus @ 33/66MHz)
- Supports the ISA like Local Legacy Bus (transaction speed up to 66MHz)
- Selectable data width (8/16/32 bits) and little/big endian at the legacy bus
- PCI Power Management 1.1
- Supports CompactPCI and CompactPCI Hot Swap
- Supports 5 PCI to Local Address Spaces (Memory or I/O selection is possible)
- Provides Chip Select and Interrupt lines at each 5 addresses
- Capable of controlling the Read/Write timing
- Supports the Delayed Read/Write by using a FIFO
- Downloads the Configuration header data from the external Serial ROM
- 176 pin TQFP Package
- Electrically compatible I/O pins with PCI Local Bus Specification v3.0(+3.3V I/O, Input 5V tolerance)

Block Diagram



Application

- Various PCI Target Adapter Card
- Digital IO and Analog IO Card
- Storage Card
- Data Control Card
- Serial MultiPort and Serial Mode Card

Ordering Information

Ordering Information

Part Number	SB4002A-TQ
Package	176-pin TQFP
Operating Temperature Range	-40°C to +85°C
Device Status	Active

Sales Inquiry : sales@sysbas.com / **Technical Support :** tech@sysbas.com