

# SB16C1058PCI

PCI to Octal-UART with  
256-Byte FIFO Bridge Controller



## » Main Features

- Standard PCI Local Bus Specification Rev. 2.3 compliant
- Built-In PCI Target Controller @ 33/66MHz
- Built-In eight improved 16C1050 UART with 256-byte Deep FIFO
- Global Interrupt and Control pins for RS422/485 auto toggling
- Zero-Wait PCI Conversion and 24ns UART response time for IOR & IOW

## Features

### Integrated PCI Interface

- Standard PCI Local Bus Specification Rev. 2.3 compliant
- Built-In PCI Target Controller
- Adopting Zero-Wait PCI to MIO Bus Conversion
- Supports 33MHz and 66MHz Bus Operation Speed
- Supports Universal PCI working in both PCI and PCI-X slots
- Option Register provided for the control and information of UART
- Downloads the Configuration header data from external serial EEPROM

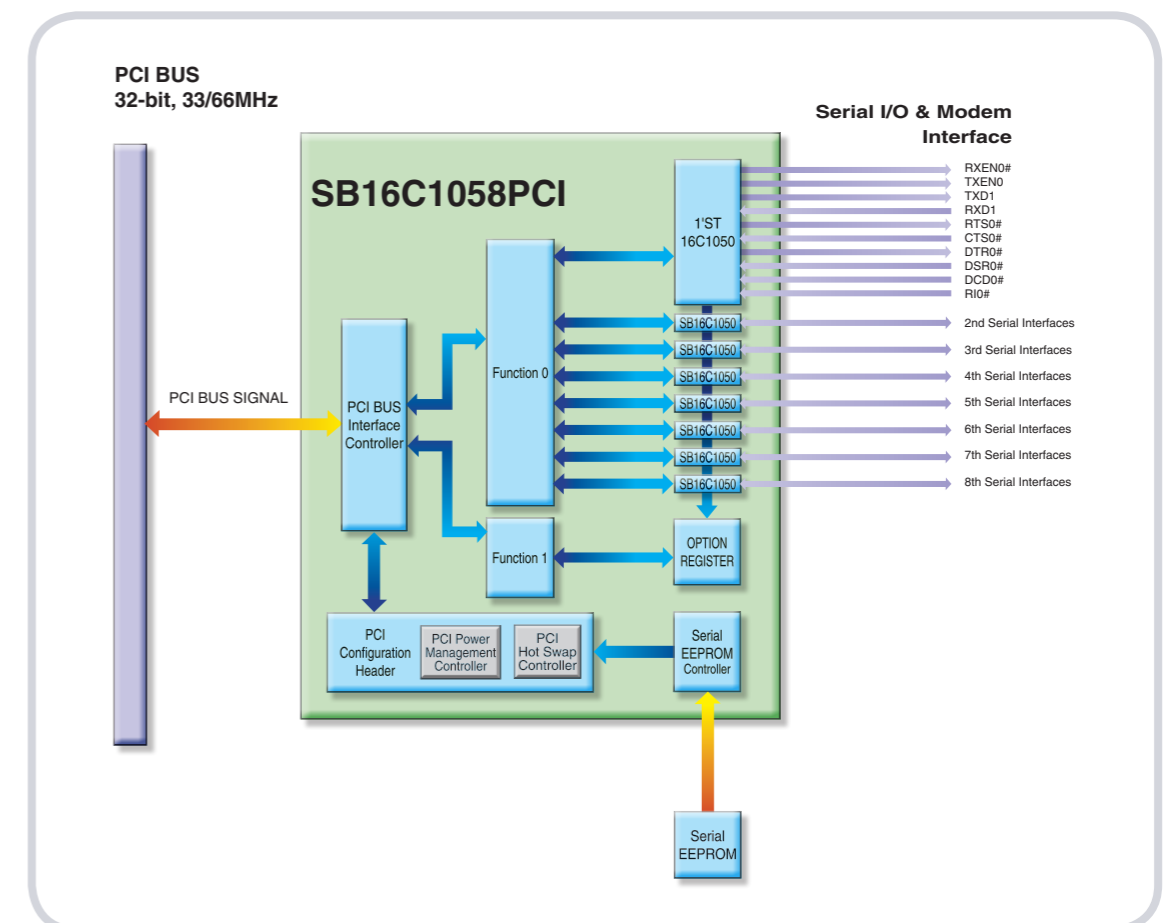
### Octal UART Interface

- Octal-UART with 256-byte Transmit/Receiver Deep FIFOs
- Register Set Compatible with 16C550 and 16C650
- Serial Data Rate of Up to 5.3Mbps & System Clock Up to 85MHz
- Software/Hardware Flow Control & Xoff Re-Transmit Function
- Global Interrupt & Control Pins for RS422/485 Auto Toggling
- Fast UART Response Time, 24ns for IOR & IOW operation
- Internal Diagnostic Capabilities

### Support & Order Information

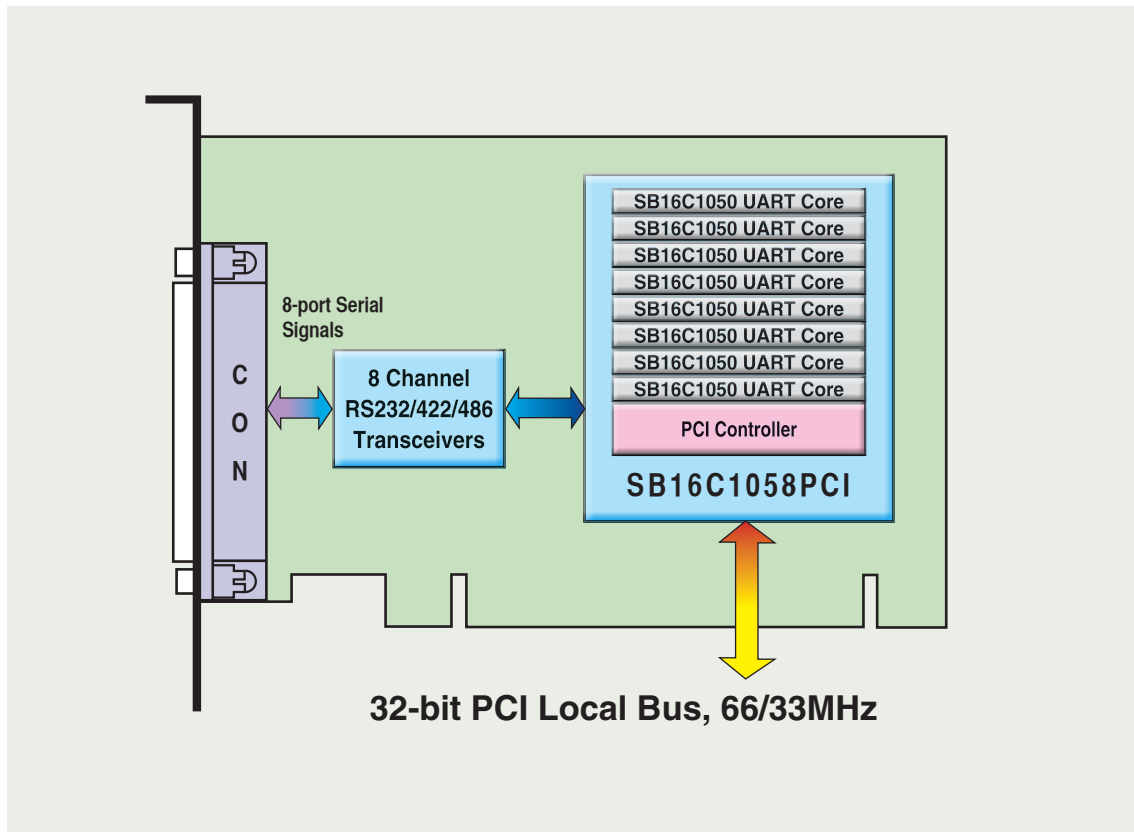
- 3.3V I/O, 5V Tolerance
- LQFP176 Package

## Block Diagram



## Application

### *Serial 8-port Card*



## Ordering Information

### *Ordering Information*

Part Number	SBSB16C1058PCI-LQ
Package	176-pin LQFP
Operating Temperature Range	-40°C to +85°C
Device Status	Active

Sales Inquiry : [sales@sysbas.com](mailto:sales@sysbas.com) / Technical Support : [tech@sysbas.com](mailto:tech@sysbas.com)