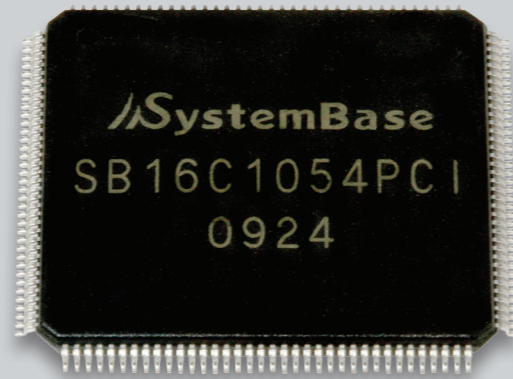


SB16C1054PCI

PCI to Quad-UART with
256-Byte FIFO Bridge Controller



» Main Features

- Standard PCI Local Bus Specification Rev. 2.3 compliant
- Built-In PCI Target Controller @ 33/66MHz
- Built-In four improved 16C1050 UART with 256-byte Deep FIFO
- Zero-Wait PCI Conversion and 24ns UART response time for IOR & IOW
- Global Interrupt and Control pins for RS422/485 auto toggling

SB16C1054PCI

Features

Integrated PCI Interface

- Standard PCI Local Bus Specification Rev. 2.3 compliant
- Built-In PCI Target Controller
- Adopting Zero-Wait PCI to MIO Bus Conversion
- Supports 33MHz and 66MHz Bus Operation Speed
- Supports Universal PCI working in both PCI and PCI-X slots
- Option Register provided for the control and information of UART
- Downloads the Configuration header data from external serial EEPROM

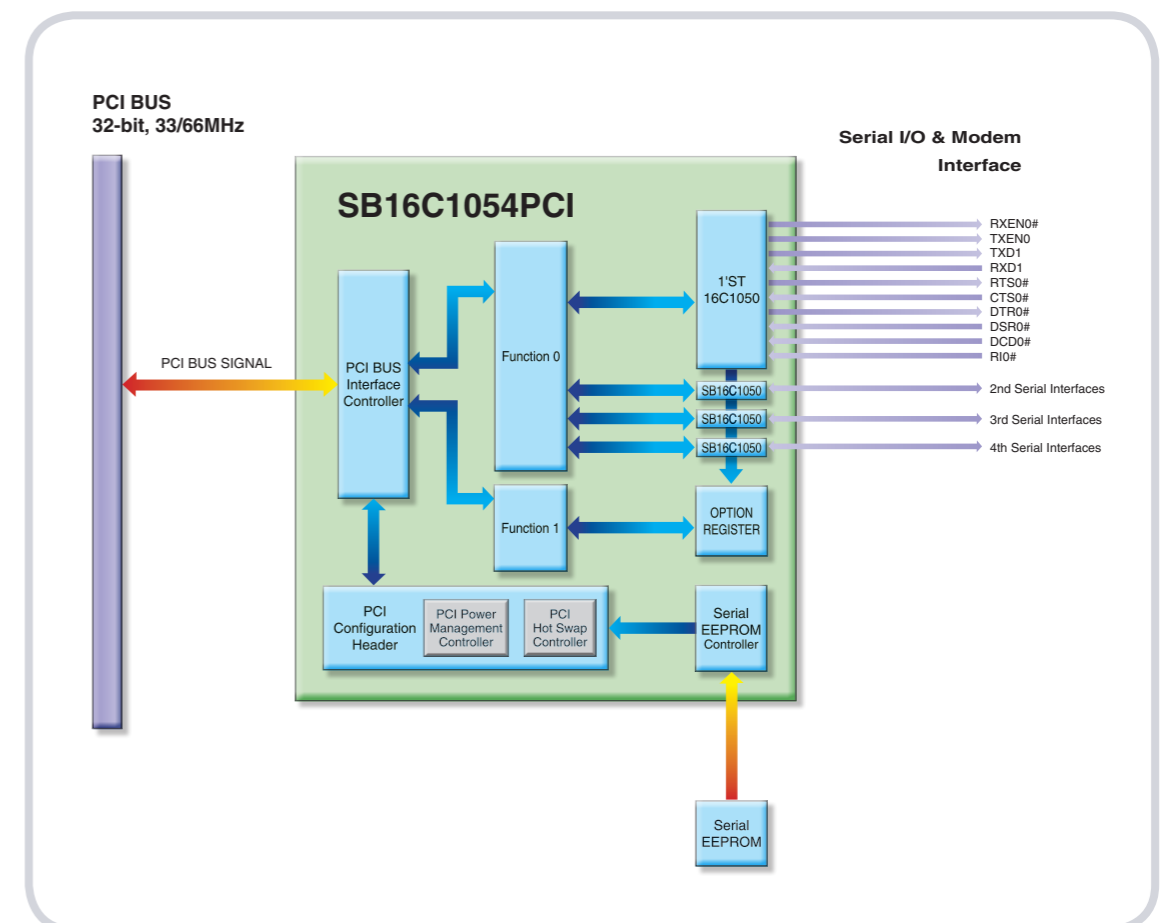
Quad UART Interface

- Quad-UART with 256-byte Transmit/Receiver Deep FIFOs
- Register Set Compatible with 16C550 and 16C650
- Serial Data Rate of Up to 5.3Mbps & System Clock Up to 85MHz
- Software/Hardware Flow Control & Xoff Re-Transmit Function
- Global Interrupt & Control Pins for RS422/485 Auto Toggling
- Fast UART Response Time, 24ns for IOR & IOW operation
- Internal Diagnostic Capabilities

Support & Order Information

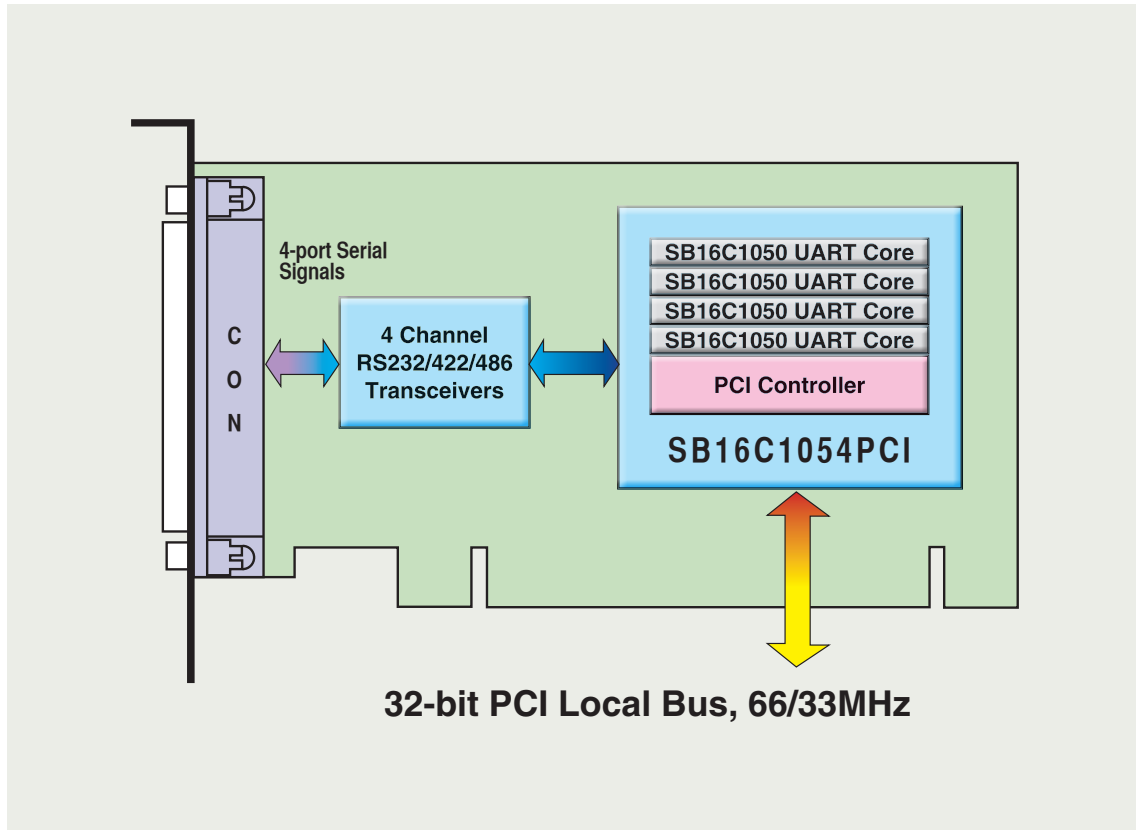
- 3.3V I/O, 5V Tolerance
- LQFP144 Package

Block Diagram



Application

Serial 4-port Card



Ordering Information

Ordering Information

Part Number	SB16C1054PCI-LQ
Package	144-pin LQFP
Operating Temperature Range	-40°C to +85°C
Device Status	Active

Sales Inquiry : sales@sysbas.com / Technical Support : tech@sysbas.com