

SB16C1052PCI

PCI to Dual-UART with
256-Byte FIFO Bridge Controller



» Main Features

- Standard PCI Local Bus Specification Rev. 2.3 compliant
- Built-In PCI Target Controller @ 33/66MHz
- Built-In two improved 16C1050 UART with 256-byte Deep FIFO
- Auto Toggling pins for RS422 and RS485 network
- Supports H/W and S/W flow control

Features

Integrated PCI Interface

- Standard PCI Local Bus Specification Rev. 2.3 compliant
- Built-In PCI Target Controller
- Supports 33MHz and 66MHz Bus Operation Speed
- Applicable to a high speed bus, PCI-X slots
- Option Register provided for the control and information of UART
- Downloads the Configuration header data from external serial EEPROM

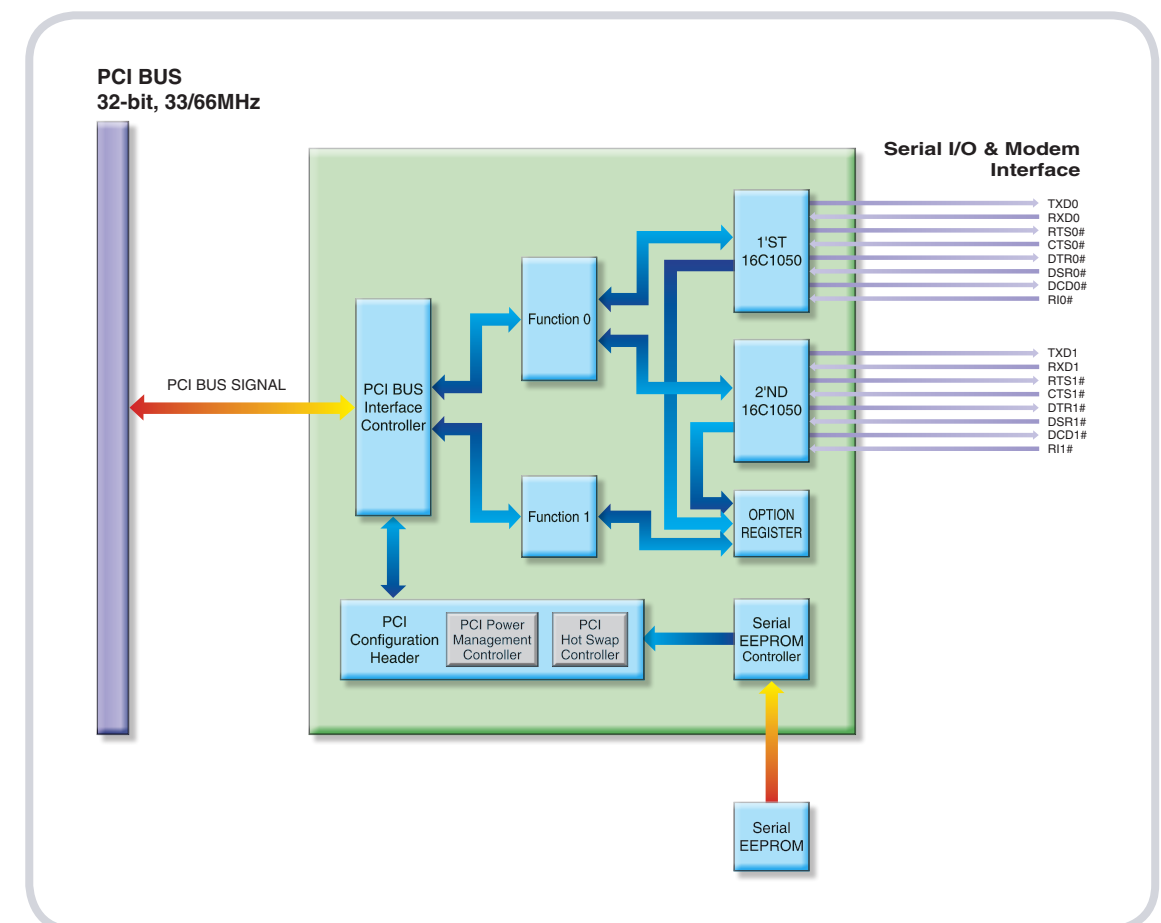
Dual UART Interface

- Dual-Channel UART(Universal Asynchronous Receiver and Transmitter)
- 256-byte Transmit/Receiver Deep FIFOs
- Register Set Compatible with 16C550 and 16C650
- Serial Data Rate of Up to 5.3Mbps & System Clock Up to 85MHz
- Software/Hardware Flow Control & Xoff Re-Transmit Function
- Auto Toggling pins for RS422 and RS485 network
- Internal Diagnostic Capabilities

Support & Order Information

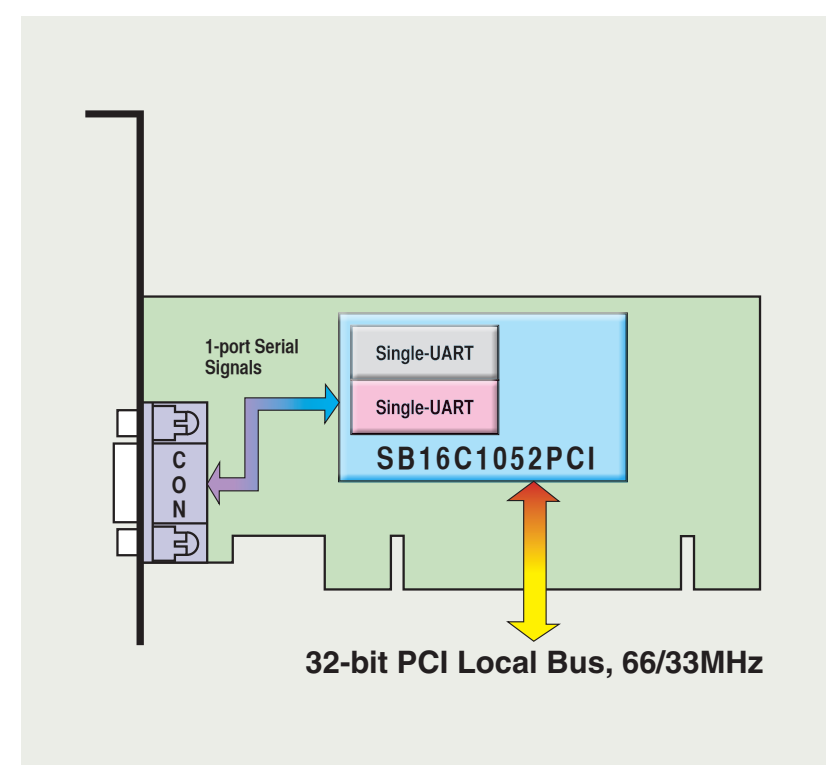
- 3.3V I/O, 5V Tolerance
- TQFP128 Package

Block Diagram

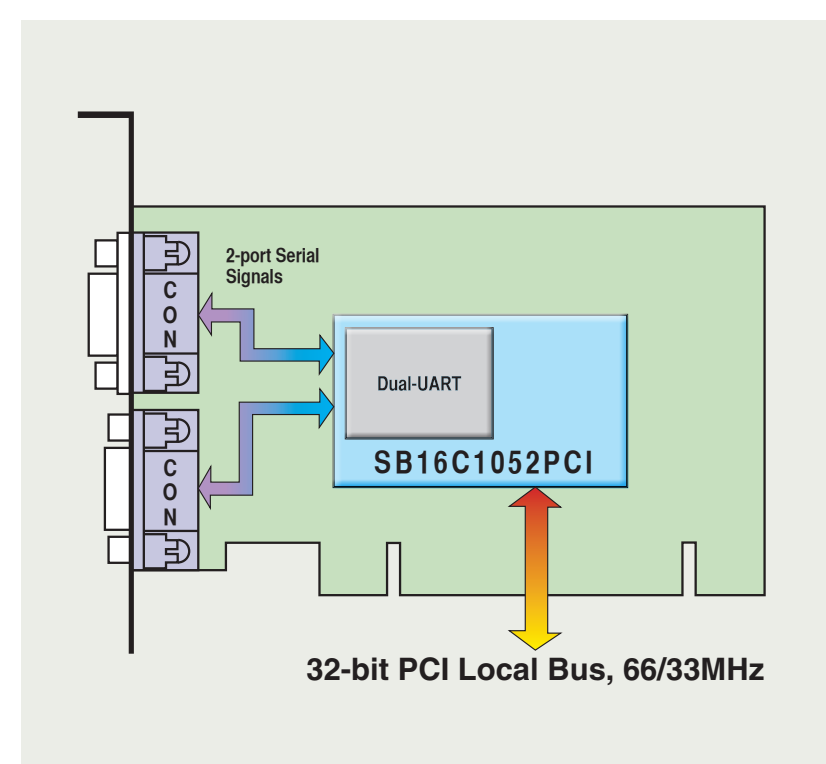


Application

Serial 1-port Card



Serial 2-port Card



Ordering Information

Ordering Information

Part Number	SB16C1052PCI-TQ
Package	128-pin LQFP
Operating Temperature Range	-40°C to +125°C
Device Status	Active

Sales Inquiry : sales@sysbas.com / Technical Support : tech@sysbas.com

SB16C1052PCI