

# SB16C1052PCle

PCI Express to Dual-UART with  
256-Byte FIFO Bridge Controller



## » Main Features

- Standard PCI Express Base Specification v1.0a and v1.1 compliant
- Built-In PCI Express x1 PHY
- Includes two improved 16C1050 UART with 256-byte FIFO
- Auto Toggling pins for RS422 and RS485 network
- Full Modem Signals including TX/RX
- Supports Power Management and MSI functions
- LQFP128, support easy & economy soldering

## Features

### Integrated PCI Express Interface

- Standard PCI Express Base Specification v1.0a and v1.1 compliant
- Built-In PCI Express PHY
- PCI Express single-lane(x1), Compatible with x4, x8, x16 PCI Express slots
- PCI Express 2.5Gbps per direction
- One Virtual Channel
- Supports Power Management (PCI-PM v1.2 & ASPM LOs) functions
- Downloads the Configuration header data from external serial EEPROM

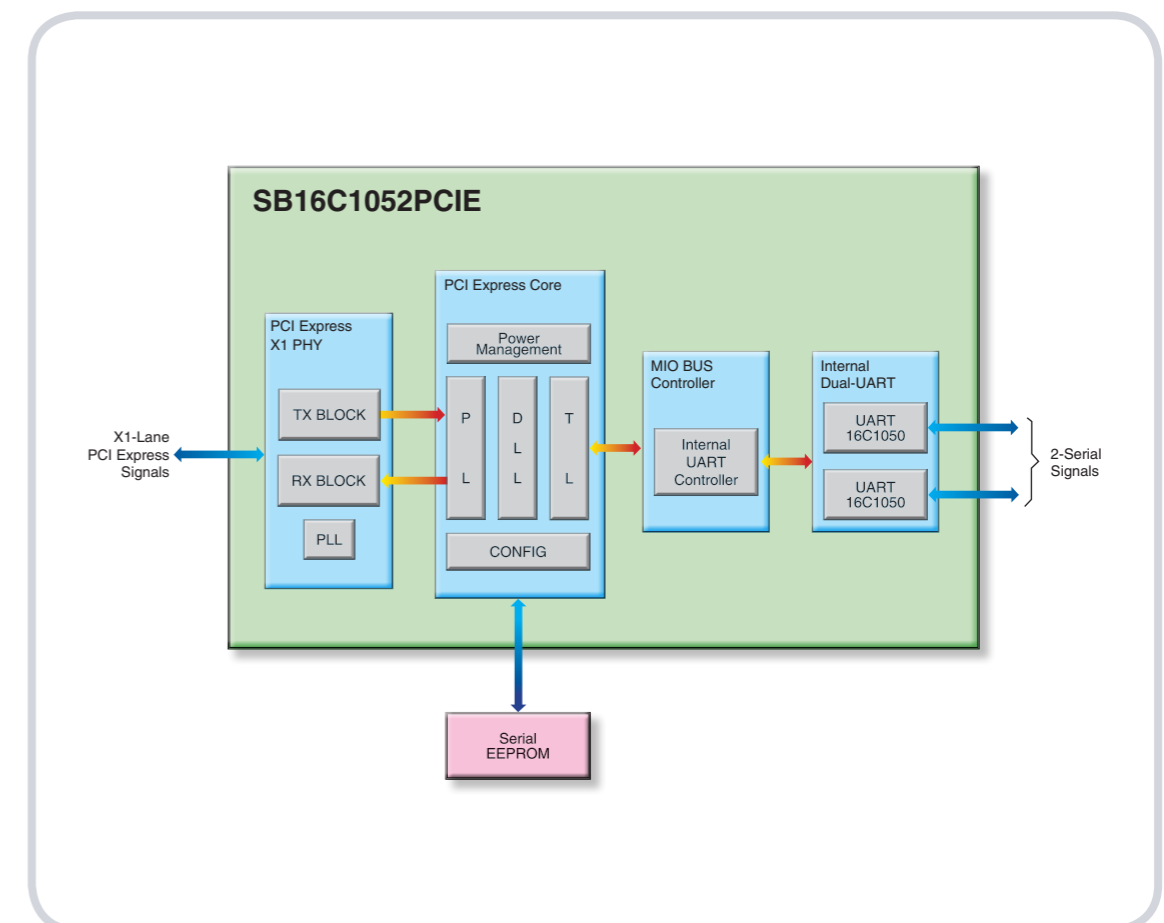
### Dual UART Interface

- Dual-Channel UART(Universal Asynchronous Receiver and Transmitter)
- 256-byte Transmit/Receiver FIFOs
- Register Set Compatible with 16C550 and 16C650
- Serial Data Rate of Up to 5.3Mbps & System Clock Up to 85MHz
- Software/Hardware Flow Control & Xoff Re-Transmit Function
- Auto Toggling pins for RS422 and RS485 network
- Internal Diagnostic Capabilities

### Support & Order Information

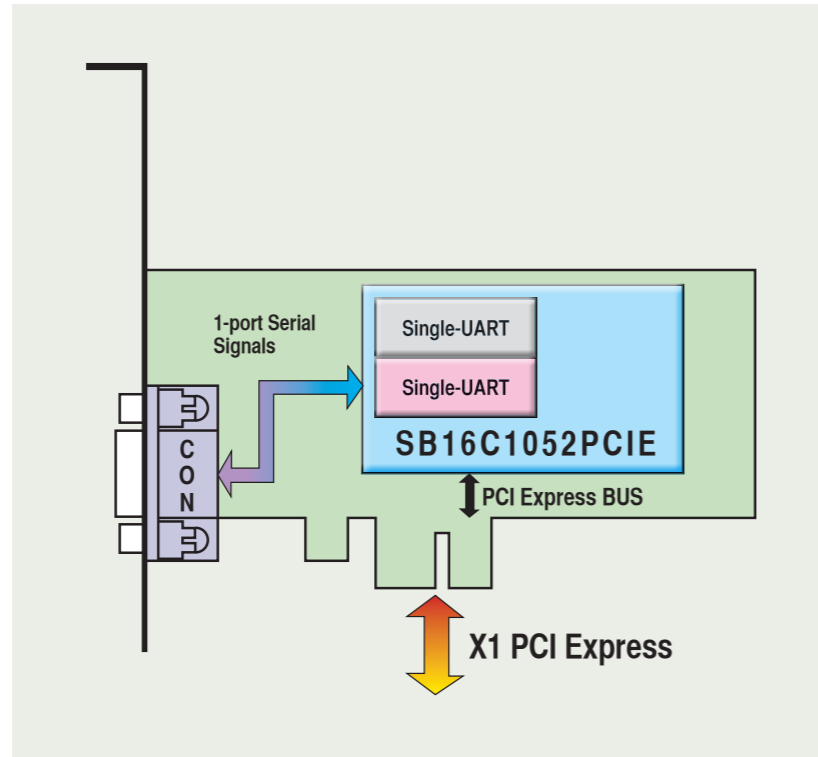
- LQFP128, support economy soldering for manufacturing & service

## Block Diagram

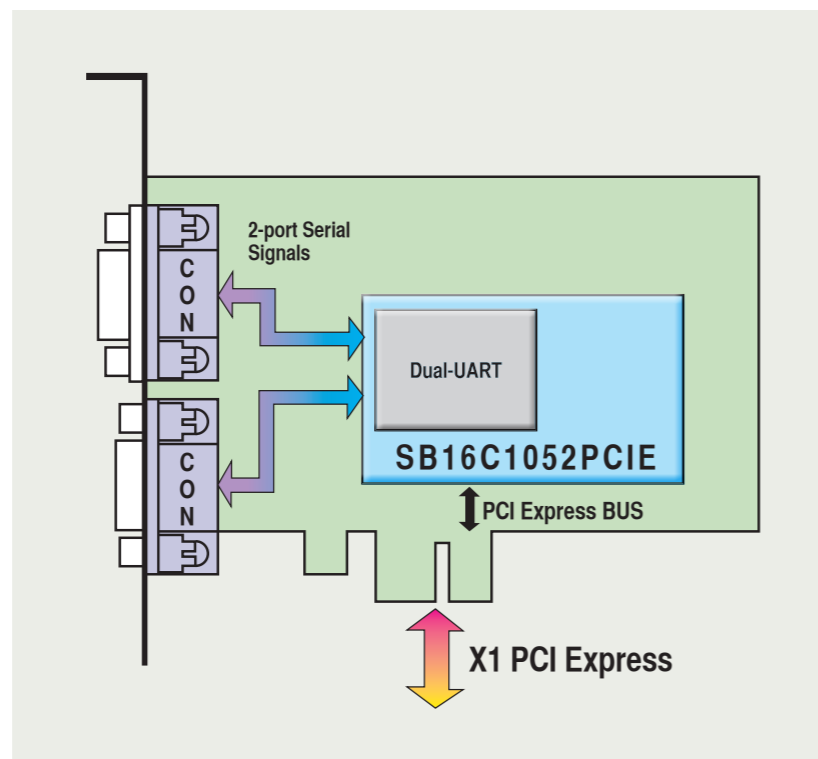


Application

Serial 1-port Card



Serial 2-port Card



Ordering Information

Ordering Information

Part Number	SB16C1052PCIE-LQ
Package	128-pin LQFP
Operating Temperature Range	-40°C to +125°C
Device Status	Active

SB16C1052PCIE

Sales Inquiry : sales@sysbas.com / Technical Support : tech@sysbas.com