

# SB16C1052PCIe



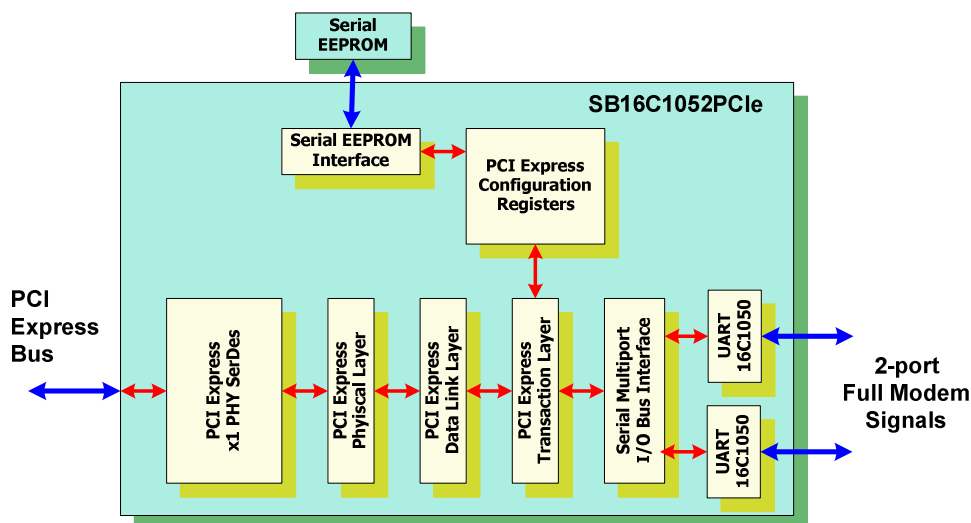
PCI Express to Dual-UART with 256-Byte FIFO Bridge Controller

SB16C1052PCIe, PCI Express to Dual-UART Bridge is a controller which converts the next generation, PCI Express Bus into two set of UART modem signals, or vice versa. It includes a PCI Express X1 PHY chip and SB16C1052, Dual UART with 256-Byte TX/RX FIFO developed by SystemBase. It can be used to develop 1-port or 2-port Serial Multiport Boards

## ■ SB16C1052PCIe Main Features

- Standard PCI Express Base Specification v1.0a and v1.1 compliant
- Built-In PCI Express x1 PHY
- Includes two improved 16C1050 UART with 256-byte FIFO
- Global Interrupt & Control pins for RS422/485 auto toggling
- Full Modem Signals including TX/RX
- Supports Power Management, Hot-Plug and MSI functions
- TQFP100, support easy & economy soldering

## ■ SB16C1052PCIe Block Diagram



# SB16C1052PCIe, PCI Express to Dual-UART Bridge Controller

## ● Features

### Integrated PCI Express Interface

- Standard PCI Express Base Specification v1.0a and v1.1 compliant
- Built-In PCI Express PHY
- PCI Express single-lane(x1), Compatible with x4, x8, x16 PCI Express slots
- PCI Express 2.5Gbps per direction
- One Virtual Channel
- Supports Power Management (PCI-PM v1.2 & ASPM L0s) & Hot-Plug functions
- Downloads the Configuration header data from external serial EEPROM

### Dual UART Interface

- Dual-Channel UART(Universal Asynchronous Receiver and Transmitter)
- 256-byte Transmit/Receiver FIFOs
- Register Set Compatible with 16C554 and 16C654
- Serial Data Rate of Up to 5.3Mbps & System Clock Up to 85MHz
- Software/Hardware Flow Control & Xoff Re-Transmit Function
- Global Interrupt & Control Pins for RS422/485 Auto Toggling
- Internal Diagnostic Capabilities

### Support & Order Information

- TQFP100, support economy soldering for manufacturing & service

SystemBase offers SB16C1052PCIe Development Kit to minimize development efforts and costs, and to maximize application stability.

SB16C1052PCIe Development Kit includes H/W schematics, CAD files, S/W device driver and source codes and etc. It will help you develop a new product easily and quickly.

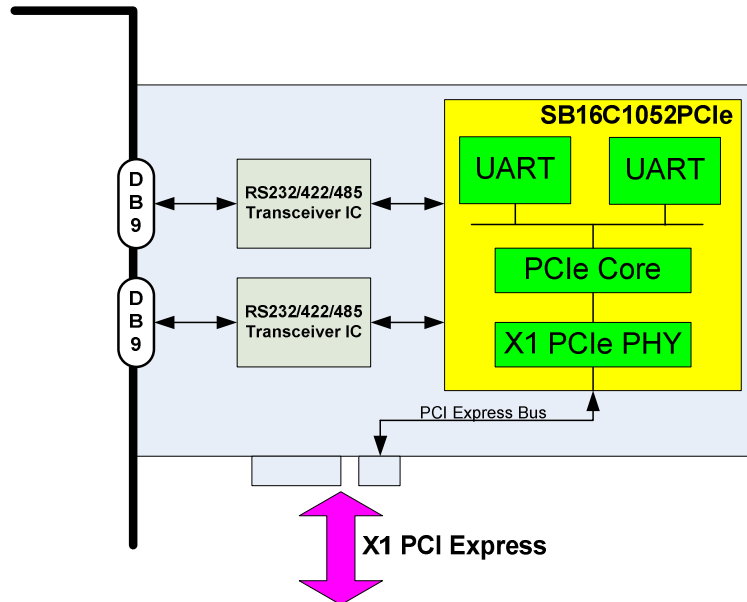


Products	Description
SB16C1052PCIe	PCI Express to Dual-UART Bridge with x1 PHY
SB16C1052PCIe Development Kit	Evaluation Board, Data Sheet, Development Kit Manual, Development Kit CD <ul style="list-style-type: none"><li>- E/B Schematics</li><li>- E/B Artwork &amp; Gerber</li><li>- Serial EEPROM Data</li><li>- Device Driver &amp; Test Program</li><li>- Source Code</li></ul>

# SB16C1052PCIe, PCI Express to Dual-UART Bridge Controller

## Applications

### Serial MultiPort PCI Express Adapter Card, 1~2 Port



### Serial MultiPort ExpressCard, 1~2 Port

