

## Eddy™ WiFi Module Embedded WiFi Module

### Main Features

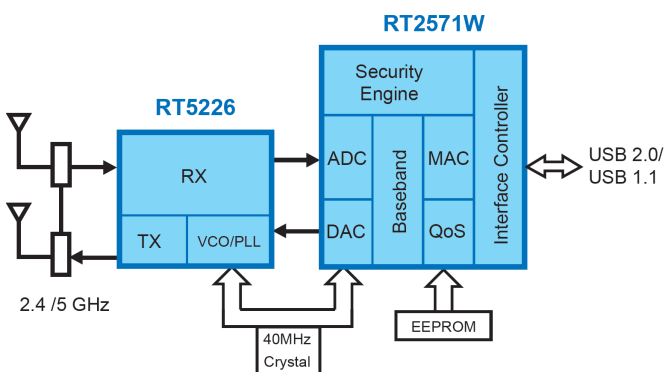
- Complies with IEEE802.11a/g Dual Band 2.4/5GHz
- Further coverage, less dead spaces and higher throughput with MIMO technology.
- Supports 64/128-bit WEP, WPA (TKIP with IEEE 802.1x),
- WPA2 (AES with IEEE 802.1x) functions for high level of security.
- Operating system: Linux 2.6.x
- Supports USB 2.0/1.1 interface.
- Supports WPS (WiFi Protected Setup).
- Portable and mini-size design.



Eddy-WiFi, WLAN 802.11a/g Dual-Band module gives your laptop or desktop a versatile way to wirelessly connect to one of three wireless networks, 802.11a, 802.11b and 802.11g that operate in 2.4GHz or 5GHz frequency bands. You simply plugs into USB port of desktop without opening the casing of computer. The pocketed-size design can be carried easily anywhere. The 128bit WEP and WPA Encryption protects your wireless network from eavesdroppers. Eddy-WiFi support Linux 2.6.x drivers.



### Eddy-WiFi Architecture



LEFT	Description	RIGHT	Description
1	GND	1	NA
2	GND	2	NA
3	GND	3	NA
		4	NA
		5	VCC(3.3V)
		6	VCC(3.3V)
		7	USB Host Data(-)
		8	USB Host Data(+)
		9	NA
		10	NA
		11	H/W Reset
		12	Ground
		13	Ground
		14	NA
		15	NA
16	GND	16	NA
17	GND	17	NA
18	GND	18	NA

## Eddy™-WiFi Spec

### Hardware

Host interface	USB 2.0
----------------	---------

### WiFi Characteristics

Standard	802.11a, 802.11b, 802.11g
Modulation	802.11a/g: OFDM 802.11b: CCK, DQPSK, DBPSK
Frequency Band	802.11a: US: UNI-Band 5.15~5.35GHz EU: UNI-Band 5.15~5.35GHz UNI-Band 5.47~5.725GHz 802.11b/g: ISM band 2.4GHz ~ 2.4884GHz
Output Power	802.11a: 18 dBm 802.11g: 19 dBm 802.11b: 23.5 dBm
RX sensitivity	802.11a/g: -68m @54Mbps 8% PER 802.11b: -85dBm @11Mbps 8% PER
Security	WEP 64/128, WPA, WPA2
Working distance	60 - 120m, depending on surrounding environment
Data Rate	802.11b : 11, 5.5, 2, 1 Mbps 802.11a/g 54, 48, 36, 24, 18, 12, 11, 9, 6, 5.5, 2, 1 Mbps
Antenna Connector	1 x U.FL
Power consumption	TX : 450mA RX : 300mA



### Environment

Dimension	53.7 x 25 x 9.5mm
Operating Temp	-10 ~ 70°C
Humidity	5 ~ 90% Non-Condensing
Operating Voltages	3.3V±5%
Weight	10g

### Approvals

CE Class A, FCC Class A, RoHS Compliant

### Ordering Information

Eddy-WiFi	Embedded WiFi Module
-----------	----------------------

### Package

Eddy-WiFi	Eddy-WiFi v2.1 Module, U.FL to RP-SMA Cable, Antenna & Utility/Document CD
-----------	--

