

Eddy-DIO

Eddy-D1/Pin

- 1 channel Optical Isolated I/O
- On-board LED indication for I/O

DIO Interface(1ea)

VCC_Common
GND_Common Selectable

Digital output

Source Type
Sink Type Selectable

Ethernet Port

1 (Pin Header)

Ethernet Interface

10/100Mbps

Programmable

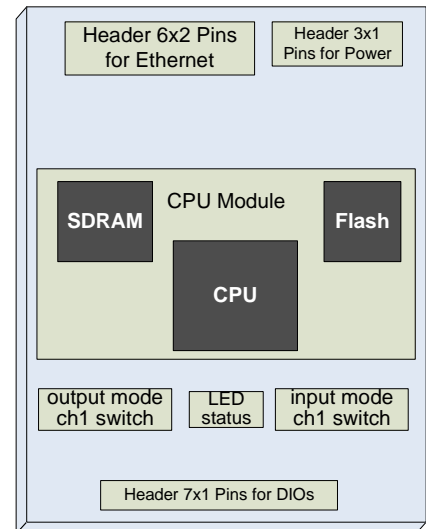
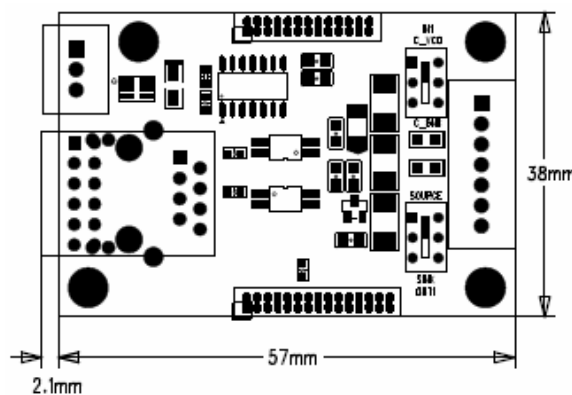
Yes

Power

5V

Dimension

55 * 38 mm



Eddy-D1/TB

- 1 channel Optical Isolated I/O
- On-board LED for I/O

Digital input

VCC_Common
GND_Common Selectable

Digital output

Source Type
Sink Type Selectable

Ethernet Port

1 (RJ45)

Ethernet Interface

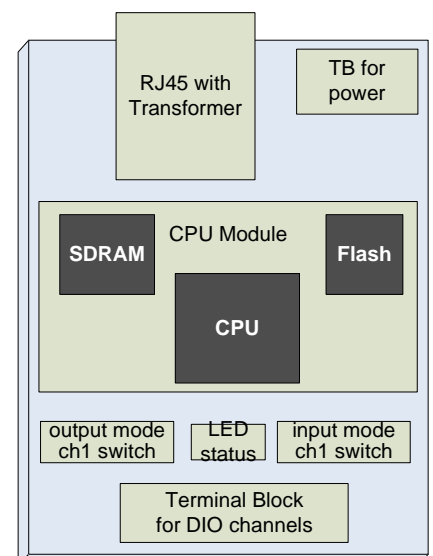
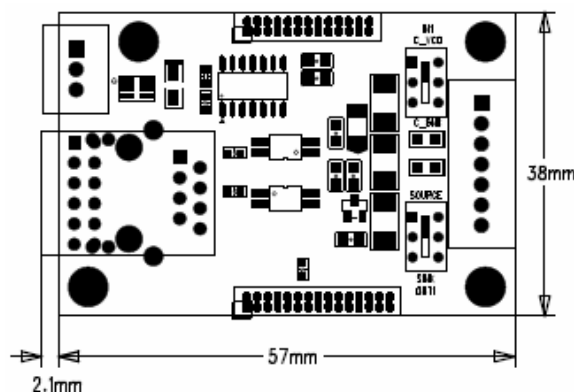
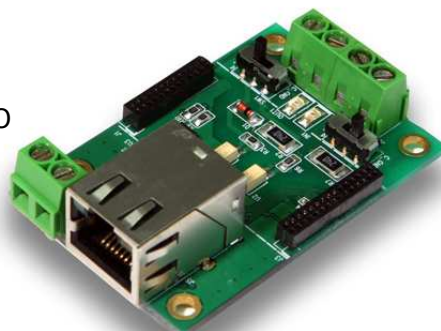
10/100Mbps

Power

5V

Dimension

55 *38 mm



Eddy-D2/Pin

- 2 channel Optical Isolated I/O
- On-board LED indication for I/O

Digital input

VCC_Common
GND_Common Selectable

Digital output

Source Type
Sink Type Selectable

Ethernet Port

1 (Pin Header)

Ethernet Interface

10/100Mbps

Programmable

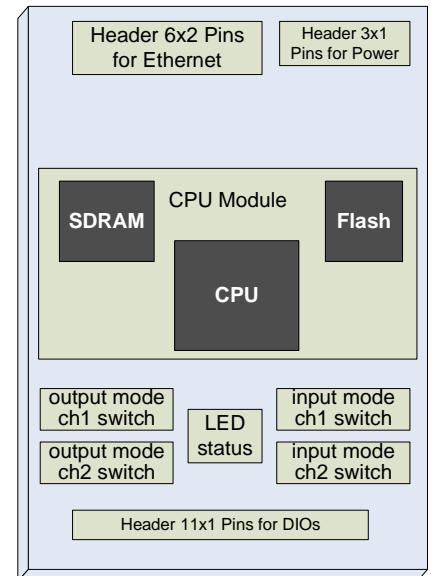
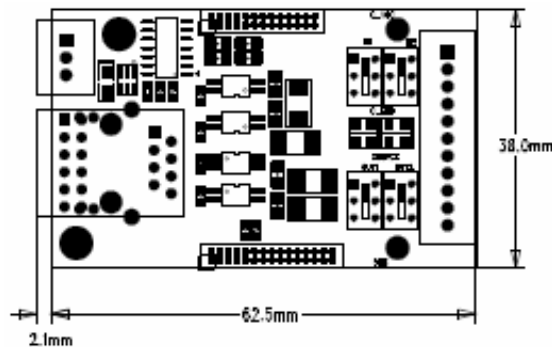
Yes

Power

5V

Dimension

62.5 * 38 mm



Eddy-D2/TB

- 2 channel Optical Isolated I/O
- On-board LED indication for I/O

Digital input

VCC_Common
GND_Common Selectable

Digital output

Source Type
Sink Type Selectable

Ethernet Port

1 (RJ-45)

Ethernet Interface

10/100Mbps

Programmable

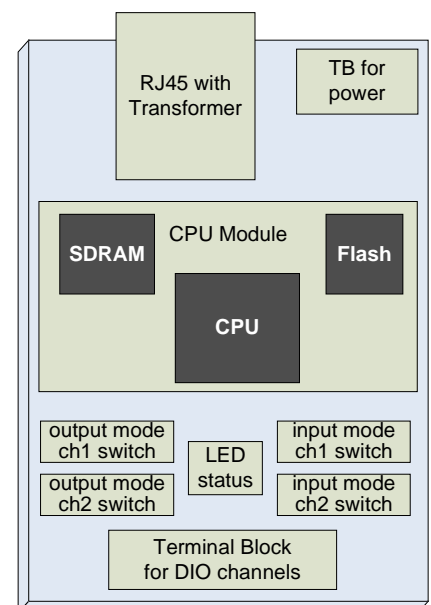
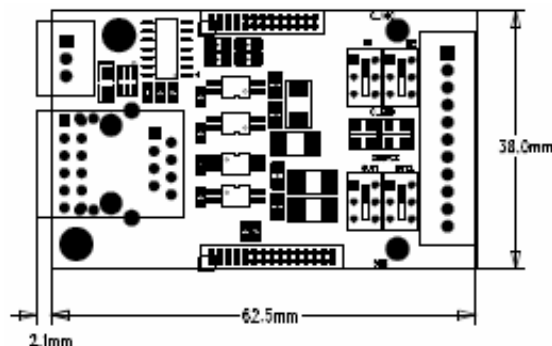
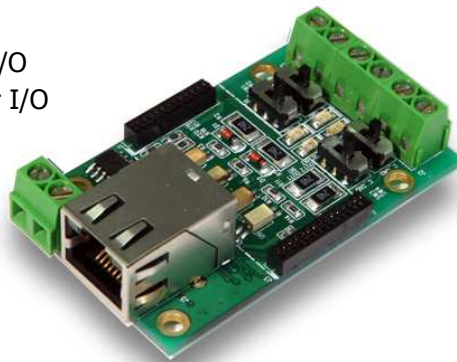
Yes

Power

5V

Dimension

62.5 * 38 mm



Specifications

Network

Protocols	TCP, UDP, Telnet, SSH, SSL/TLS, DDNS, ICMP, DHCP, TFTP, HTTP, SNMP 1 & 2
LAN Port	10/100Mbps RJ-45 Port w/LED * 1 (Eddy-D1/TB, D2/TB) 10/100Mbps Pin Header * 1 (Eddy-D1/Pin, D2/Pin)
Connection Type	Static IP, DHCP

DIO

I/O channel	Eddy-D1/Pin, D1/TB Input 1 channel, Output 1 channel Eddy-D2/Pin, D2/TB Input 2 channel, Output 2 channel
Digital Output	- SOURCE Type, SINK Type Selectable Switch - Optical Isolated output - Output Voltage : 12min, 48V max - Sink Current : max 400mA/channel - Isolation Voltage : 2500Vrms - Response Time : 30Khz
Digital Input	- VCC_Common, GND_Commom Selectable Switch - Optical Isolated input - input Range : 5-48V

Software

O/S	Embedded Linux (Kernel 2.4.x)
Mgmt. Tools	SNMP, Portview, Web
Configuration	Telnet, Web, Portview
Security	Telnet, Web ID/Password SSH, SSL/TLS
Application Upload	TFTP, FTP, Web
Web Service	Embedded Web Server

Hardware

Processor	32-bit ARM9 Processor with 168MHz
Flash Memory	4 MB
SDRAM	8 MB
GPIO (Programmable IO)	NONE
LED	Input, Output 포트별
Power Input	5V
Power Consumption	260mA (1.5W)
Weight	17g (Eddy-D1/Pin) 28g (Eddy-DS1/TB) 18g (Eddy-D2/Pin) 31g (Eddy-D2/TB)

Environmental

Operating Temp.	0 ~ 50° C
Storage Temp.	-20 ~ 80° C
Humidity	5 ~ 95% Non-Condensing

Approvals

CE, FCC, RoHS compliant

Selection Guide

General Description

	<u>Eddy-D1/TB</u>	<u>Eddy-D1/Pin</u>	<u>Eddy-D2/TB</u>	<u>Eddy-Pin</u>
I/O Connector	4-Pin Terminal Block	7-Pin Header	6-Pin Terminal Block	11-Pin Header
LAN Connector	RJ45 w/LED	12-Pin Header	RJ45 w/LED	12-Pin Header
Power Connector	2-Pin Terminal Block	3-Pin Header	2-Pin Terminal Block	3-Pin Header
Power Requirement	+5V			
Operating Temperature	0 - 60℃			
Operating Humidity	0-90% non-condensing			
Storage Temperature	-20 - 80℃			
Dimension	57 x 38mm	57 x 38mm	62.5 x 38mm	62.5 x 38mm

Digital Input

	<u>Eddy-D1/TB</u>	<u>Eddy-D1/Pin</u>	<u>Eddy-D2/TB</u>	<u>Eddy-D2/Pin</u>
Channel	1	1	2	2
Isolated Voltage	5KVDC			
Input current	Max. 50mA			
Input Voltage	DC 5-48V			
Input Impedance	1/1KΩ 1/2W			
Response Time	49us			
Miscellaneous	VCC Common or GND Common Selectable			

Digital Output

	<u>Eddy-D1/TB</u>	<u>Eddy-D1/Pin</u>	<u>Eddy-D2/TB</u>	<u>Eddy-D2/Pin</u>
Channel	1	1	2	2
Isolated Voltage	5KVDC			
Type	Open Collector			
Contact Type	NPN			
Output Voltage	DC 5-48V(External Power)			
Sink or Source Current	Max. 400mA(48V)			
Response Time	Max. 30KHz			
Miscellaneous	External Power Sink Driver or External Power Source Driver Selectable			

Ordering Information

Eddy-D1/Pin	1-CH embedded DIO module (Pin Header DIO interface)
Eddy-D1/TB	1-CH embedded DIO module (Terminal Block DIO interface)
Eddy-D2/Pin	2-CH embedded DIO module (Pin Header DIO interface)
Eddy-D2/TB	2-CH embedded DIO module (Terminal Block DIO interface)