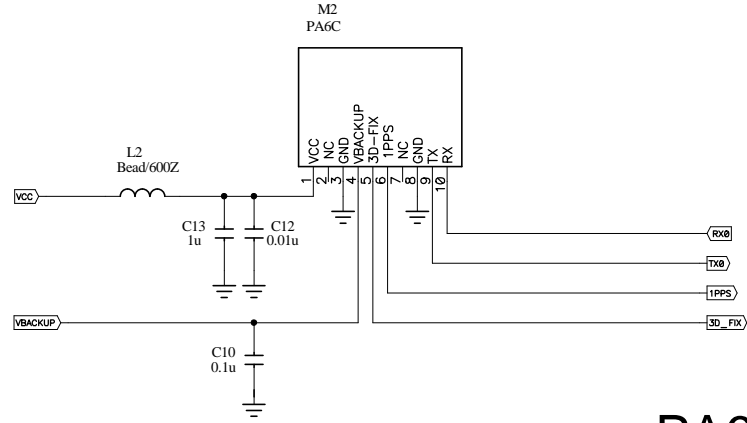
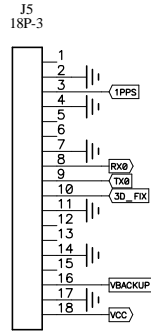


A

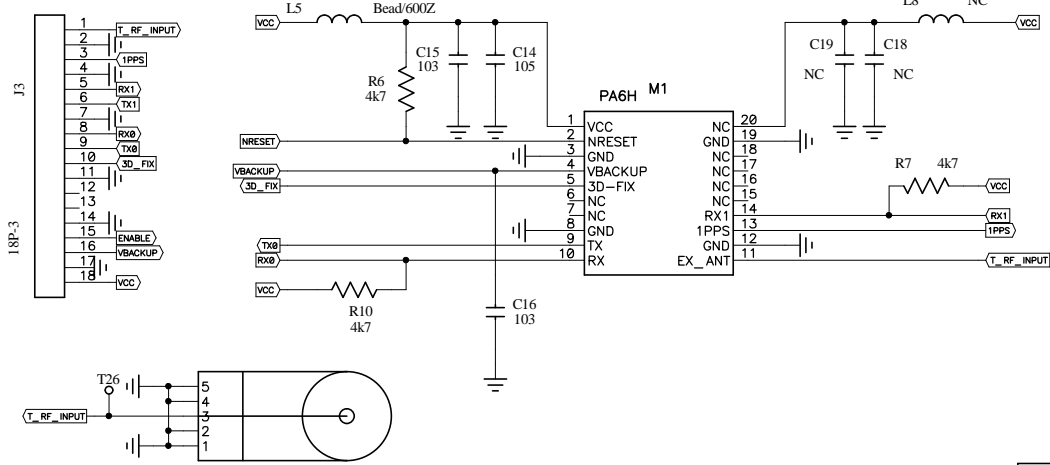
B

C

D



PA6C Daughter Board



PA6H Daughter Board



Title			PA6C & PA6H		
Size	Number		Rev		V01
A3					
Date	2012/09/20		Drawn by		Yingjie
Filename	Daughter board for MT3339.sch		Sheet		2 of 2

A

B

C

D