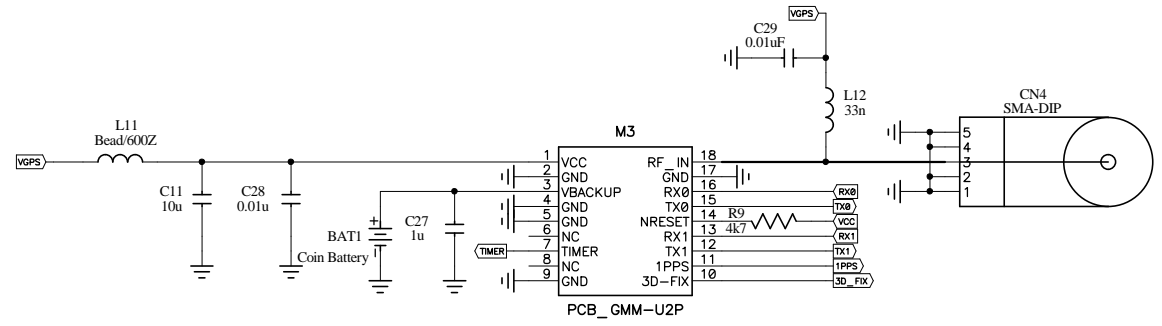
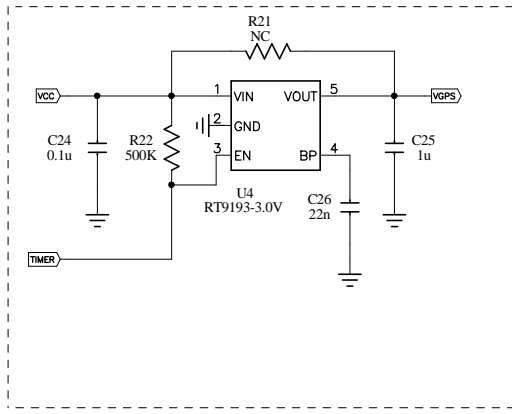
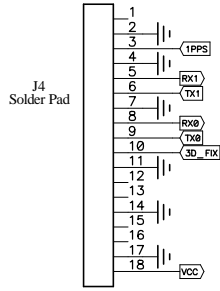


A

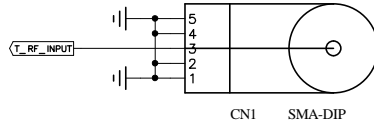
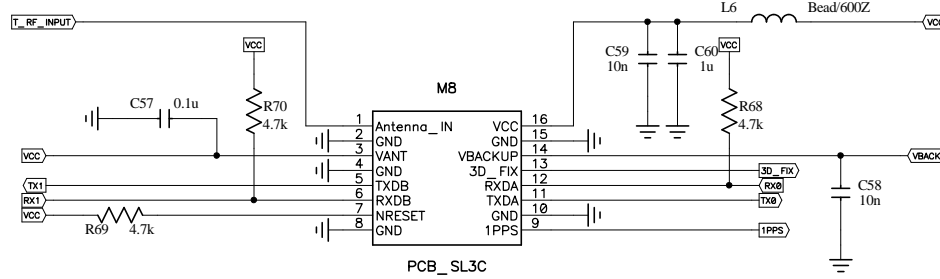
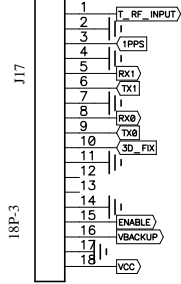
B

C

D



Gmm-u2p Daughter Board



FGPMOSL3C Daughter Board



Title SL3C & Gmm-u2p		
Size A3	Number	Rev V01
Date 2012/09/20	Drawn by Yingjie	
Filename Daughter board for MT3339.sch	Sheet 1	of 2

A

B

C

D