

◆ Feature

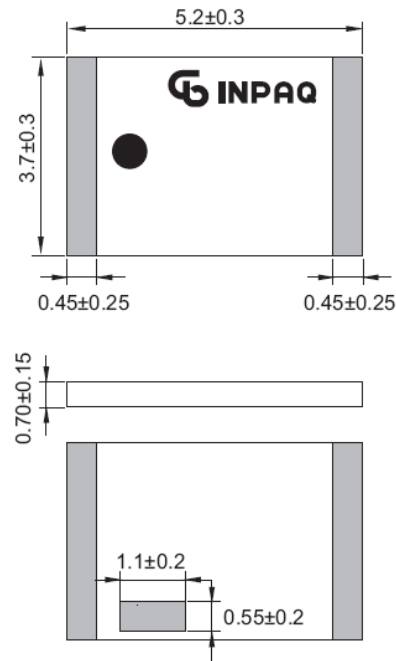
- 1.High gain and single band
- 2.Compact size and low profile
- 3.Omni-directional
- 4.SMD type
- 5.RoHS compliant

◆ Application

Mobile Phone, GPS



◆ Dimension (mm): 5.2 x 3.7 x 0.7



◆ Specification

Center Frequency (MHz)	1575.42
Bandwidth (MHz)	100
V.S.W.R.	< 2
Polarization	Linear
Radiation Pattern	Omni-Direction
Peak Gain (dBi)	3.4 typ.
Impedance (Ω)	50 typ.
Efficiency (%)	83 typ.
Matching Circuit	Pi matching circuit
Testing Condition	Measured on 80mm x 40mm Antenna Evaluation Board
Package	2,000 pcs/reel