

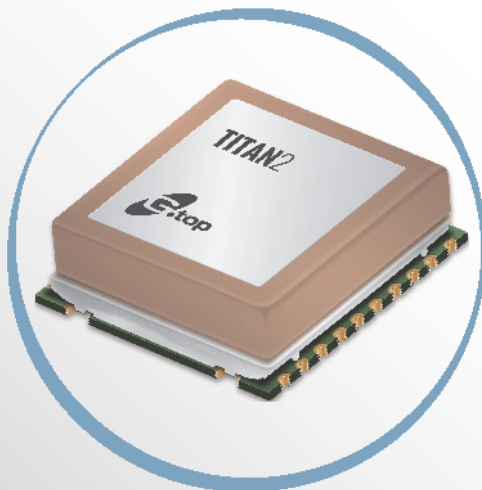
GlobalTop Technology Inc.



# TITAN 2

## GNSS Patch Module Datasheet (Tape-Reel)

Part Number: Gms g6  
Revision: VoJ



## Version History

Title:		GlobalTop Titan 2 Datasheet (Tape Reel)	
Subtitle:		GNSS Module	
Doc Type:		Datasheet	
Revision	Date	Author	Description
VOA	2013/08/09	Yingjie	First Release
VOB	2013/09/24	Yingjie	Modify 5.2 Tape Reel Packing
VOC	2013/10/08	Yingjie	Modify Consumption current
VOD	2013-11-19	Dylan	Revise ±10ns jitter to ±10ns RMS jitter Add Power Saving Current Update GSV-GNSS Satellites in View Modify 2.1 Mechanical Dimension Modify 2.2 PCB pad Layout Add GAGAN system
VOE	2015-03-09	Brian Wang	Modify moisture color coded
VOF	2015-07-09	Archie Lin	Power consumption value changed; certification CE/FCC number added; reset signal voltage highlight table added; new firmware for NMEA output added; 1pps description changed; NMEA sentence output modified; 1pps descriptions in highlight & features changed (section 1, article 1.2 & 1.5); 1pps description in Pin Assignment added (section 2, article 2.4); timing accuracy description in Specification changed (section 2, article 2.6)
VOG	2015-12-10	Archie Lin	Changed product weight from 6g to 5.60g (pg 16)
VOH	2016-2-26	Archie Lin	Phrase “supporting RTCM” added for RX1 on pg. 13. Diagram changed for RTCM, Pg2 6 Company logo replaced.
VOI	2016/5/20	Archie Lin	Section 2.6: 1. Changed <b>Altitude</b> from “18,000” to “10,000 (normal mode),” and to “80,000”(balloon mode)  2. Changed product <b>weight</b> to 5.65g
VOJ	2016/8/12	Josefina Chen / Archie Lin	Modified sections 5 & 6 regarding to Pre- baking process reference

## Table of Contents

<b>1. Functional Description</b> .....	<b>4</b>
1.1 Overview .....	4
1.2 Highlights and Features .....	5
1.3 System Block Diagram .....	6
1.4 Multi-tone active interference canceller .....	7
1.5 1PPS.....	7
1.6 AGPS Support for Fast TTFF (EPO in flash™).....	7
1.7 EASY™.....	7
1.8 AlwaysLocate™ (Advance Power Periodic Mode).....	9
1.9 LOCUS (Embedded Logger Function).....	9
<b>2. Specifications</b> .....	<b>10</b>
2.1 Mechanical Dimension .....	10
2.2 Recommended PCB pad Layout.....	11
2.3 Pin Configuration .....	12
2.4 Pin Assignment .....	13
2.5 Description of I/O Pin.....	14
2.6 Specification .....	16
2.7 Absolute Maximum Ratings .....	17
2.8 Operating Conditions.....	17
<b>3. Protocols</b> .....	<b>18</b>
3.1 NMEA Output Sentences.....	18
3.2 MTK NMEA Command Protocols .....	25
3.3 Firmware Customization Services.....	25
<b>4. Reference Design</b> .....	<b>26</b>
4.1 Reference Design Circuit.....	26
<b>5. Packing and Handling</b> .....	<b>27</b>
5.1 Moisture Sensitivity.....	27
5.2 Tape Reel Packing Information .....	28
5.3 Storage and Floor Life Guideline .....	32
5.4 Drying.....	32
5.5 ESD Handling.....	33
5.6 Pre-Baking Required Conditions.....	33
<b>6. Reflow Soldering Temperature Profile</b> .....	<b>34</b>
6.1 SMT Reflow Soldering Temperature Profile.....	34
6.2 Manual Soldering .....	38
<b>7. Contact Information</b> .....	<b>38</b>

# 1. Functional Description

## 1.1 Overview

GlobalTop Titan 2 module is a dual system GNSS receiver which acquires and tracks GPS/GLONASS systems concurrently to provide high sensitivity and tracking capabilities in various urban conditions which makes it a perfect solution for performance critical applications.

Titan 2 is built based on the MediaTek new generation GNSS Chipset MT3333 capable of achieving the industry's highest level of sensitivity (-165dBm) and instant Time-to-First Fix (TTFF).

Titan 2 supports up to 210 PRN channels with 99 search channels and 33 simultaneous tracking channels. With QZSS, SBAS ranging (WAAS, EGNOS, MSAS), QZSS and AGPS, Titan 2 can provide even more accurate positioning. The ISSCC2011 awarded **12-Multi-Tone Active Interference Canceller** capable of removing 12 active noise sources enables customer to have more flexibility in system design.

Titan 2 has a built-in GLONASS and GPS chip antenna, which simplifies customer's integration of GNSS positioning system.

### Application:

- ✓ Handheld Device
- ✓ M2M application
- ✓ Asset management
- ✓ Surveillance



## 1.2 Highlights and Features

- ◆ 33 tracking/ 99 acquisition-channel GPS/GLONASS receiver
- ◆ Supports QZSS, SBAS(WAAS, EGNOS, MSAS, GAGAN\*) ranging
- ◆ Ultra-High Sensitivity: -165dBm
- ◆ High Update Rate: up to 10Hz<sup>(Note1)</sup>
- ◆ 12 multi-tone active interference canceller<sup>(Note2)</sup> [ISSCC 2011 Award -Section 26.5]  
([http://isscc.org/doc/2011/isscc2011.advanceprogrambooklet\\_abstracts.pdf](http://isscc.org/doc/2011/isscc2011.advanceprogrambooklet_abstracts.pdf))
- ◆ High accuracy 1 PPS timing ( $\pm 10$ ns RMS) with maximum pulse width in 100ms (Pulse width can be customized)
- ◆ AGPS Support for Fast TTFF (EPO in flash<sup>TM</sup> Enable 7 days/14 days)
- ◆ EASY<sup>TM</sup>(Note2): Self-Generated Orbit Prediction for instant positioning fix
- ◆ AlwaysLocate<sup>TM</sup>(Note2) Intelligent Algorithm (Advance Power Periodic Mode) for power saving
- ◆ LOCUS (Embedded Logger Function)<sup>(Note3)</sup>
- ◆ Gtop Firmware Customization Services
- ◆ Consumption current(@3.3V):  
For GPS+GLONASS
  - Acquisition for GPS+GLONASS: 20mA(min)/ 25mA(typical) /30mA(max)
  - Tracking for GPS+GLONASS: 18mA(min)/ 23mA(typical) /28mA(max)
- ◆ E911, RoHS, REACH compliant
- ◆ CE, FCC Certification

**FCC Report Number :** T140304N15-D;

**Technical Standard:** FCC 47 CFR PART 15 SUBPART B and ANSI C63.4(2009) IC ICES-003

**CE Reference Number:** T140304N15-E ;

**Applicable Standards:** EN55022:2010+AC:2011, Class B; EN55024:2010; IEC 61000-4-2:2008; IEC 61000-4-3:2010; IEC 61000-4-8:2009

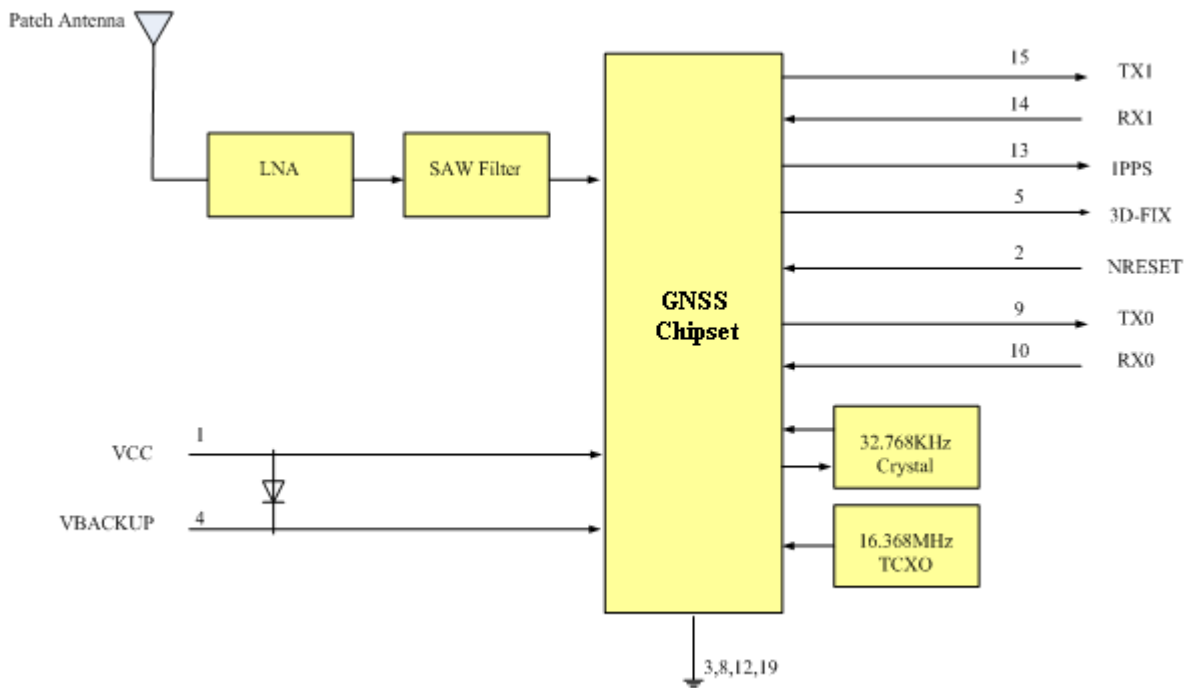
(Note1): SBAS can only be enabled when update rate is equal or less than to 5Hz.

(Note2): Some features need special firmware or command programmed by customer, please refer to "PMTK Command List"

(Note3): Please refer to "GlobalTop LOCUS Library User Manual"

*\*GAGAN will be supported*

### 1.3 System Block Diagram



## 1.4 Multi-tone active interference canceller

Navigation system often integrated with variant applications that are not limited to Wi-Fi, GSM/GPRS, 3G/4G, Bluetooth. Such system, as often seen, generates RF harmonics which would influence the GPS reception and performance. The embedded multi-tone active interference canceller (MTAIC) is capable of rejecting unwanted RF harmonics of the nearby on-board active components. MTAIC improves the capacity of GPS reception leaving hardware integration engineering without the need of hardware changes. Titan 2 cancels up to 12 independent channels continuous interference wave.

## 1.5 1PPS

Titan 2 generates a pulse-per-second signal (1 PPS). It is an electrical signal which precisely indicates the start of a second with the accuracy of  $\pm 10\text{ns}$  RMS. The PPS signal is provided through designated output pin for many external applications. The pulse is not only limited to being active every second but also allowed to set up the required duration, frequency and active high/low by programming user-defined setting.

## 1.6 AGPS Support for Fast TTFF (EPO in flash™)

The AGPS (EPO in flash™) supply the predicated Extended Prediction Orbit data to speed TTFF. Users can download the EPO data to GPS engine from the FTP server via internet or wireless network. The GPS engine of the module will use the EPO data to assist position calculation when the navigation information from satellites is not enough as is the case of weak signal. For more details on EPO, visit our website.

## 1.7 EASY™

Embedded Assist System (EASY™) is embedded within the receiver module to assist for quick positioning when not enough information is received from the satellites. With EASY™ technology, the GPS engine is able to calculate and predict up to 3 days single ephemeris automatically when power on. It then saves the predicted information onto the memory. So the GPS engine can use this information for positioning later if no enough information received from the satellites. This function will be helpful for TTFF improvement to allow positioning even under weak signal condition such dense urban. Backup power (VBACKUP) is required for this feature.

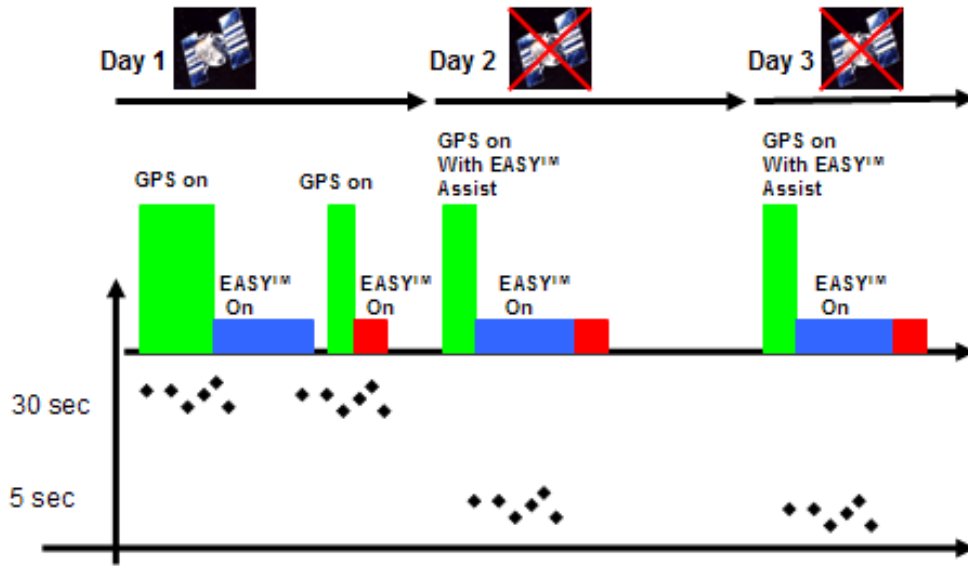


Figure: EASY System operation

Figure above show that when GPS device obtained the satellite information from GPS satellites, the GPS engine automatically pre-calculates to predict orbits for 3 extended days.

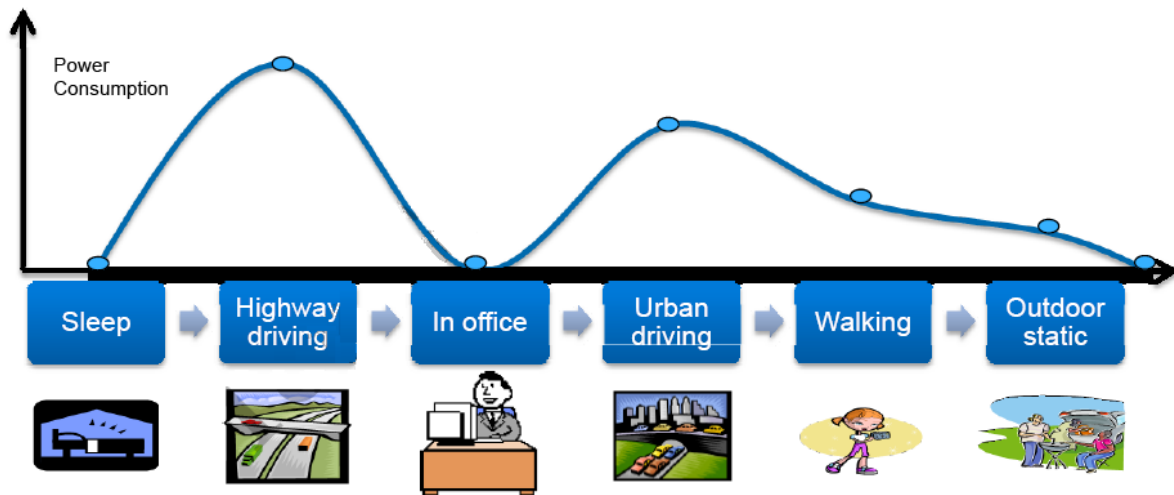


## 1.8 AlwaysLocate™

Titan 2 uses AlwaysLocate™(Advance Power Periodic Mode) modes to achieve power saving by adaptively adjust the on/off time to achieve balance between positioning accuracy and power consumption according to the environmental and motion conditions to achieve best power conservation.

The following figure gives some insight on power saving under different use cases when AlwaysLocate™ mode is enabled. For command detail, please contact our sales staff at

[sales@gtop-tech.com](mailto:sales@gtop-tech.com).



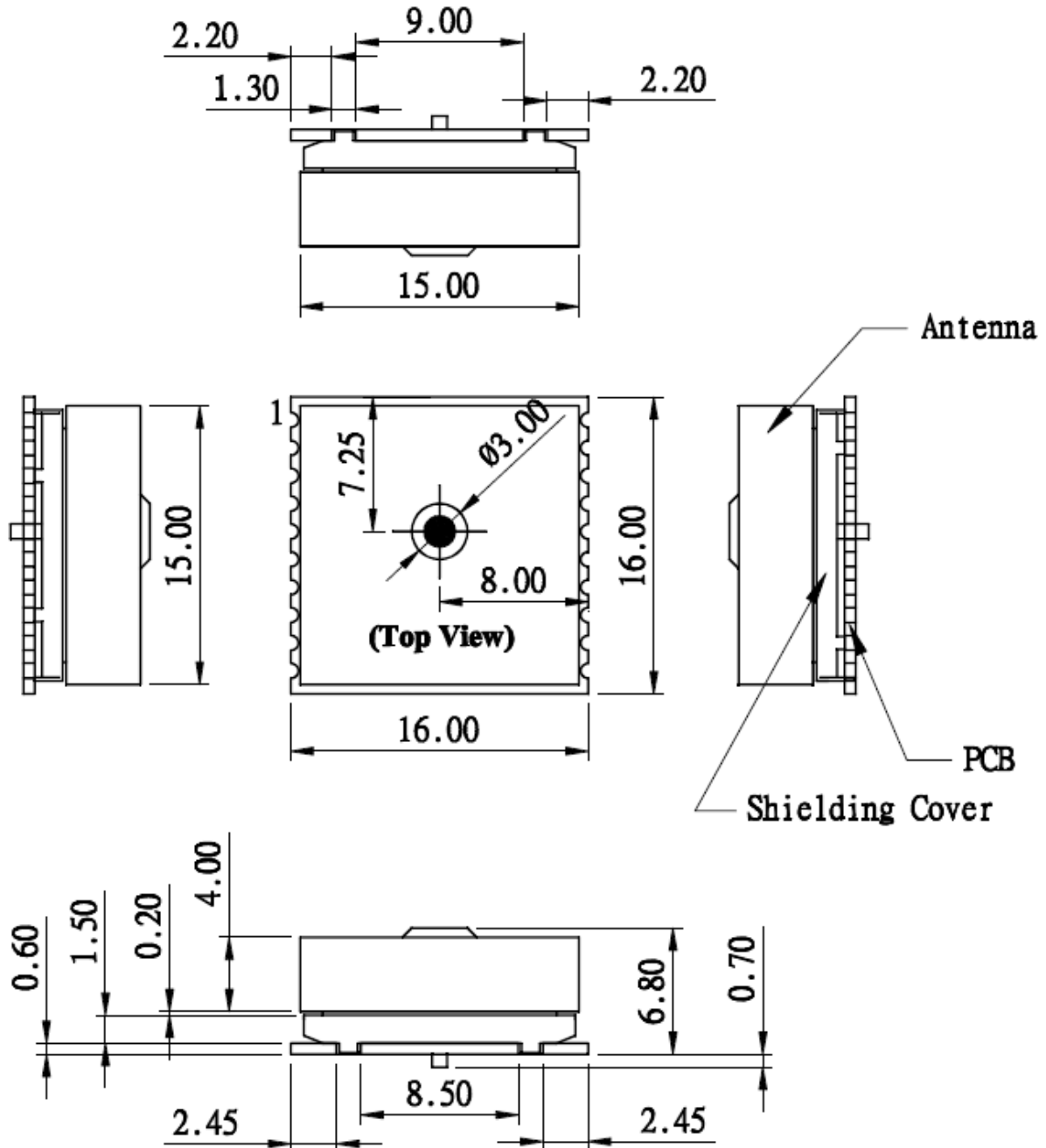
## 1.9 LOCUS

When LOCUS (Embedded Logger Function) feature is enabled, the receiver module becomes a logger capable device. It does not need a host or external flash to log GPS data, such as data format: UTC, latitude, longitude, valid, checksum. The maximum constant log duration can be up to 2 days under AlwaysLocate™ condition.

## 2. Specifications

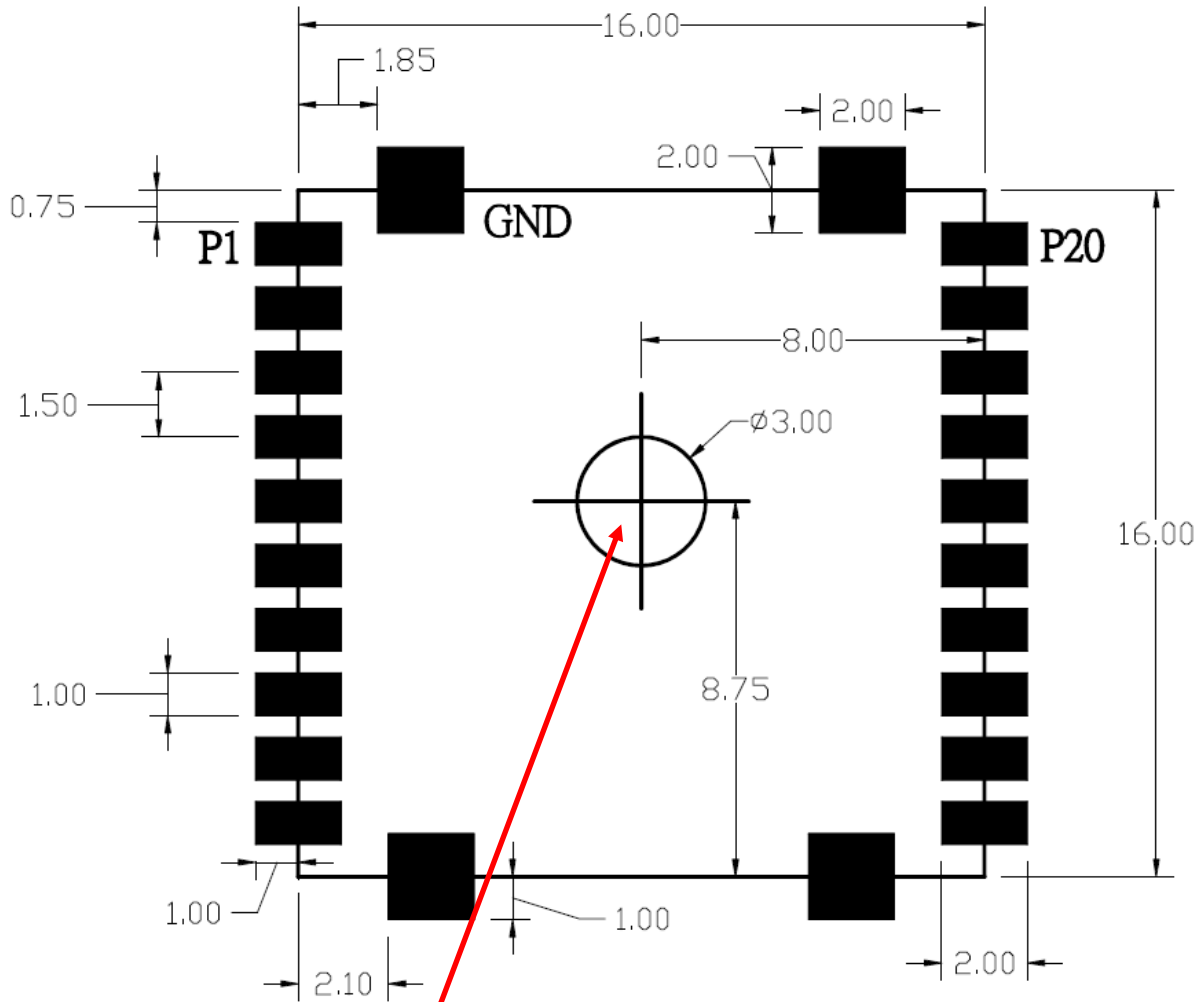
### 2.1 Mechanical Dimension

Dimension: (Unit: mm, Tolerance: +/- 0.2mm)



## 2.2 Recommended PCB pad Layout

(Unit: mm, Tolerance: 0.1mm)

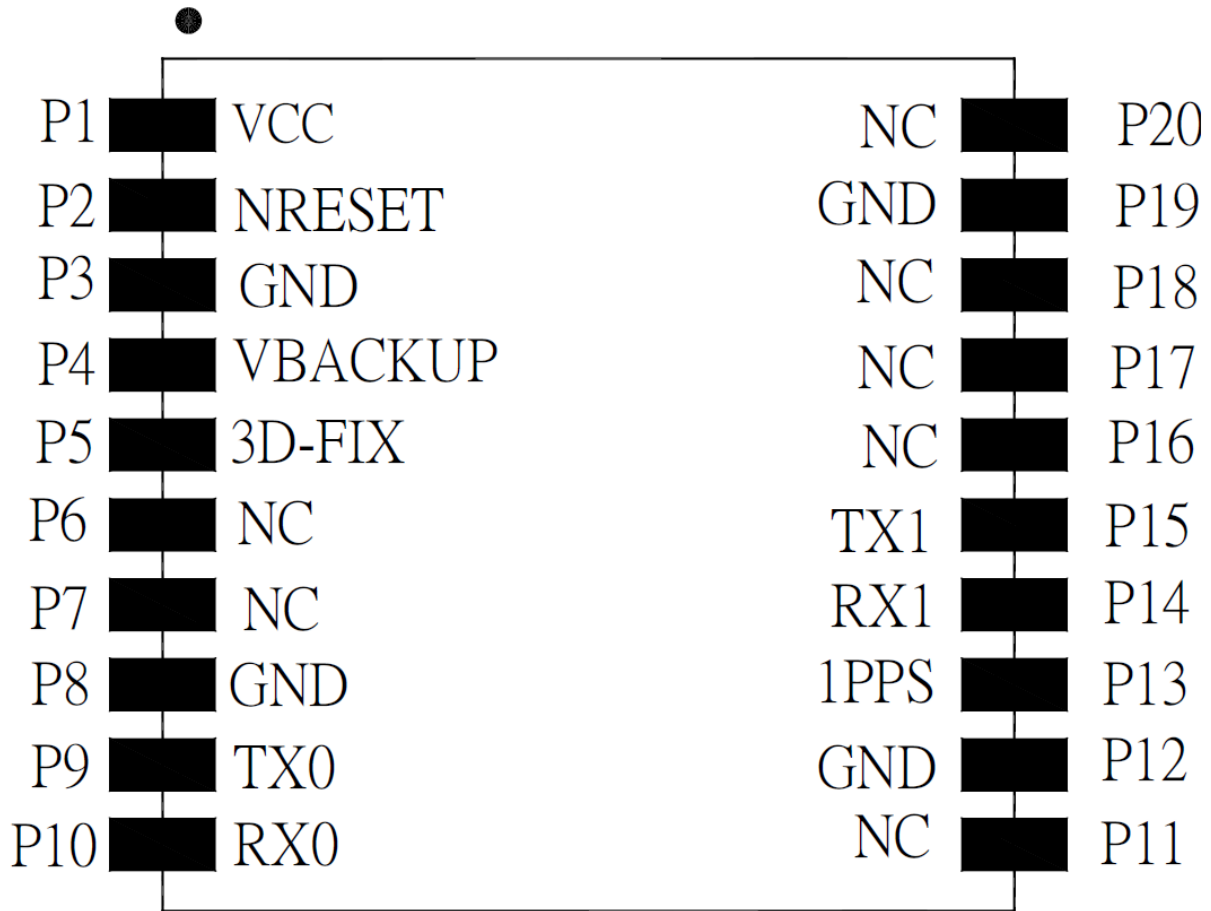


(Top view)

**Note.**

Place one hole (diameter =3.0mm)  
under this module for the antenna pad.

## 2.3 Pin Configuration



(Top view)

## 2.4 Pin Assignment

Sides Pin	Name	I/O	Description & Note
1	VCC	PI	Main DC power input
2	NRESET	I	Reset Input, Low Active
3	GND	P	Ground
4	VBACKUP	PI	Backup power input for RTC & navigation data keep
5	3D-FIX	O	3D-Fix Indicator
6	NC	-	
7	NC	-	
8	GND	P	Ground
9	TX0	O	Serial Data Output 0 for NMEA output (TTL)
10	RX0	I	Serial Data Input 0 for Firmware update (TTL)
11	NC	-	
12	GND	P	Ground
13	1PPS	O	1PPS Time Mark Output 2.8V CMOS Level (Pulse width/duration can be customized)
14	RX1	I	Serial Data Input for DGPS RTCM data streaming
15	TX1	O	Serial Data Output
16	NC	-	
17	NC	-	
18	NC	-	
19	GND	P	Ground
20	NC	-	

## 2.5 Description of I/O Pin

### VCC, Pin1,

The main DC power supply of the module. The voltage should be kept between from **3.0V to 4.3V** (Typical: 3.3V). **The ripple must be controlled under 50mVpp.**

### NRESET, Pin2,

Active on Low; it causes the module to reset. If not used, keep this pin floating.

NRESET Level	Min(V)	Typ(V)	Max(V)
Low	0	0	1.5
High	2	2.8	3.3

### GND, Pin3, Pin8, Pin12, Pin19

Ground

### VBACKUP, Pin4

This connects to the backup power of the GNSS module. Power source (such as battery) connected to this pin will help the GNSS chipset in keeping its internal RTC running when the main power source is turned off. The voltage should be kept between **2.0V~4.3V, typical 3.0V.**

**IF VBACKUP power were not reserved, the GNSS module will perform a lengthy cold start each time it is powered on as previous satellite information is not retained and needs to be re-transmitted.**

If not used, keep this pin floating.

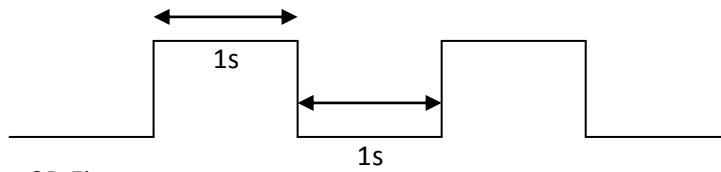
### 3D-FIX, Pin5

The 3D-FIX is assigned as a fix flag output. The timing behavior of this pin can be configured by custom firmware for different applications (Example: waking up host MCU).

If not used, keep this pin floating.

- Before 2D Fix

The pin should continuously output one-second high-level with one-second low-level signal



- After 2D or 3D Fix  
The pin should output a constant low signal  
Low \_\_\_\_\_

## NC, Pin6, Pin7, Pin11, Pin16, Pin17, Pin18, Pin20

There are NC pins, they are not connected.

## TX0, Pin9

This is the UART 0 transmitter of the module. It outputs GPS information for application.

## RX0, Pin10

This is the UART0 receiver of the module. It is used to receive commands from system.

## 1PPS, Pin13

This pin provides one pulse-per-second signal output which synchronizes to the precise GPS time clock.

If not used, keep this pin floating

## RX1, Pin14

This is the UART1 receiver of the module. It is used for aiding.

If not used, keep this pin floating.

## TX1, Pin15

This is the UART1 transmitter of the module. It is used for aiding.

If not used, keep this pin floating.

## 2.6 Specification

	Description
<b>GNSS Solution</b>	MTK MT3333
<b>Frequency</b>	GPS L1, 1575.42MHz GLONASS L1, 1598.0625~1605.375MHz
<b>Sensitivity (GPS portion)</b>	Acquisition: -148dBm, cold start Reacquisition: -163dBm, Hot start Tracking: -165dBm
<b>SV Number</b> <b>GPS</b> <b>GLONASS</b>	#1~32 #65~96 (see 3. Protocols for details)
<b>TTF (GPS, No. of SVs&gt;4, C/N&gt;40dB, PDop&lt;1.5)</b>	Hot start: 1 second typical Warm start: 33 seconds typical Cold start: 35 seconds typical, 60 seconds Max
<b>Position Accuracy</b>	Without aid:3.0m (50% CEP) DGPS(SBAS(WAAS,EGNOS,MSAS, GAGAN*)):2.5m (50% CEP)
<b>Velocity Accuracy</b>	Without aid : 0.1m/s DGPS(SBAS(WAAS,EGNOS,MSAS, GAGAN*)):0.05m/s
<b>1PPS Accuracy (1PPS Output)</b>	Default: ±10ns RMS within 100ms in one pulse (pulse width/duration can be customized)
<b>Altitude</b>	10,000m maximum (Normal mode: car/pedestrian/ aviation) 80,000m maximum (Balloon mode)
<b>Velocity</b>	Maximum 515m/s (1000 knots)**
<b>Acceleration</b>	Maximum 4G
<b>Update Rate</b>	1Hz (default), maximum 10Hz
<b>Baud Rate</b>	9600 bps (default)
<b>DGPS</b>	SBAS(default) [WAAS, EGNOS, MSAS, GAGAN*]
<b>Power Supply</b>	VCC: 3V to 4.3V; VBACKUP: 2.0V to 4.3V
<b>Current Consumption @ 3.3V,1Hz Update Rate</b>	GPS+GLONASS Acquisition: 20mA(min)/ 25mA(typical) /30mA(max) Tracking: 18mA(min)/ 23mA(typical) /28mA(max)
<b>Backup Power Consumption@ 3V</b>	15uA (TYP)
<b>Power Saving (Periodic)</b>	Backup mode: 9uA(TYP) Standby mode: 350uA(TYP)
<b>NRESET Current @ 3.3V</b>	8mA(TYP)
<b>Working Temperature</b>	-40 °C to +85 °C
<b>Dimension</b>	16 x16 x 6.8 mm, SMD
<b>Weight</b>	5.65g

\*GAGAN will be supported.

\*\*The number was simulated from lab test



## 2.7 Absolute Maximum Ratings

The voltage applied for VCC should not exceed 4.3VDC.

	Symbol	Min.	Typ.	Max.	Unit
Power Supply Voltage	VCC	3.0	3.3	4.3	V
Backup battery Voltage	VBACKUP	2.0	3.0	4.3	V

## 2.8 Operating Conditions

	Condition	Min.	Typ.	Max.	Unit
Operation supply Ripple Voltage	—	—	—	50	mVpp
RX0 TTL H Level	—	2.0	—	3.3	V
RX0 TTL L Level	—	0	—	0.8	V
TX0 TTL H Level	—	2.4	—	2.8	V
TX0 TTL L Level	—	0	—	0.4	V

## 3. Protocols

### 3.1 NMEA Output Sentences

**Table-1** lists each of the NMEA output sentences specifically developed and defined by MTK for use within MTK products

Table-1: NMEA Output Sentence	
Option	Description
GGA	Time, position and fix type data.
GSA	GNSS receiver operating mode, active satellites used in the position solution and DOP values.
GSV	The number of GPS satellites in view satellite ID numbers, elevation, azimuth, and SNR values.
RMC	Time, date, position, course and speed data. The recommended minimum navigation information.
VTG	Course and speed information relative to the ground.

**Table-2** lists NMEA output sentences in GPS system and GLONASS system.

Table-2: NMEA Output Sentence for GPS and GNSS					
System	GGA	GSA	GSV	RMC	VTG
GPS	GPGGA	GPGSA	GPGSV	GPRMC	GPVTG
GNSS (GPS+GLONASS)	GPGGA	GNGSA	GPGSV GLGSV <sup>(Note4)</sup>	GPRMC <sup>(Note5)</sup> or GNRMC	GPVTG
AXN 3.2 <sup>(Note6)</sup>	GPGGA	GNGSA	GPGSV GLGSV	GPRMC GNRMC	GPVTG

(Note4): In Talker ID, "GP" represents GPS satellite; "GL" represents GLONASS satellite; GN represents "GPS +GLONASS" satellite

(Note5): As soon as GNSS module receives GPS satellite and GLONASS satellite, it uses Talker ID "GN" to replace "GP" for GSA and RMC sentence.

(Note6): AXN 3.2 is used in the old version and will no longer be supported.

**GGA—Fixed Data. Time, Position and fix related data**

**Table-3** contains the values for the following example:

\$GNGGA,064951.000,2307.1256,N,12016.4438,E,1,8,0.95,39.9,M,17.8,M,,\*65

Table-3: GGA Data Format			
Name	Example	Units	Description
Message ID	\$GNGGA		GGA protocol header
UTC Time	064951.000		hhmmss.sss
Latitude	2307.1256		ddmm.mmmm
N/S Indicator	N		N→North or S→South
Longitude	12016.4438		dddmm.mmmm
E/W Indicator	E		E→East or W→West
Position Fix Indicator	1		See <b>Table-4</b>
Satellites Used	8		
HDOP	0.95		Horizontal Dilution of Precision
MSL Altitude	39.9	meters	Antenna Altitude above/below mean-sea-level
Units	M	meters	Units of antenna altitude
Geoidal Separation	17.8	meters	
Units	M	meters	Units of geoids separation
Age of Diff. Corr.		second	Null fields when DGPS is not used
Checksum	*65		
<CR> <LF>			End of message termination

Table-4: Position Fix Indicator	
Value	Description
0	Fix not available
1	GPS fix
2	Differential GPS fix

Note: when inputting the commend \$PMTK353,0,1,0,0,0\*2A, \$GNGGA will change to \$GLGGA(For GLONASS)

When inputting the commend \$PMTK353,1,0,0,0,0\*2A : \$GNGGA will change to \$GPGGA(For GPS)

**GSA—GNSS DOP and Active Satellites**

Table-5 contains the values for the following example:

GPS satellite system →

\$GPGSA,A,3,29,21,26,15,18,09,06,10,,,,,2.32,0.95,2.11\*00

GPS+GLONASS satellite system →

\$GNGSA,A,3,08,28,20,04,32,17,11,,,,,1.00,0.63,0.77\*1B (GPS satellite)

\$GNGSA,A,3,77,76,86,78,65,88,87,71,72,,,,,1.00,0.63,0.77\*17 (GLONASS satellite)

Table-5: GSA Data Format			
Name	Example	Units	Description
Message ID	\$GPGSA, or \$GLGSA		GSA protocol header
Mode 1	A		See Table-6
Mode 2	3		See Table-7
Satellite Used <sup>(Note)</sup>	08		SV on Channel 1
Satellite Used	28		SV on Channel 2
....	....	....	....
Satellite Used			SV on Channel 12
PDOP	1.00		Position Dilution of Precision
HDOP	0.63		Horizontal Dilution of Precision
VDOP	0.77		Vertical Dilution of Precision
Checksum	*1B		
<CR> <LF>			End of message termination

Note: GPS SV No. #01~#32  
GLONASS SV No. #65~#96

Table-6: Mode 1	
Value	Description
M	Manual—forced to operate in 2D or 3D mode
A	2D Automatic—allowed to automatically switch 2D/3D

Table-7: Mode 2	
Value	Description
1	Fix not available
2	2D (< 4 SVs used)
3	3D (≥ 4 SVs used)

**GSV— Satellites in View, includes GPS(GPGSV) and GLONASS(GLGSV)**

**Table-8** contains the values for the following example:

\$GPGSV,4,1,14,28,75,321,44,42,54,137,39,20,53,080,44,17,40,330,44\*77

\$GPGSV,4,2,14,04,33,253,43,32,28,055,41,08,26,212,40,11,14,055,33\*7F

\$GPGSV,4,3,14,10,12,198,,07,06,179,38,23,04,125,44,27,02,314,\*7E

\$GPGSV,4,4,14,193,,,42,01,,,36\*45

Table-8: GPGSV Data Format			
Name	Example	Units	Description
Message ID	\$GPGSV		GSV protocol header
Number of Messages	4		<i>(Depending on the number of satellites tracked, multiple messages of GSV data may be required.)</i> <sup>(Note6)</sup>
Message Number	1		
Satellites in View	14		
Satellite ID	28		Channel 1 (Range 1 to 32)
Elevation	75	degrees	Channel 1 (Maximum 90)
Azimuth	321	degrees	Channel 1 (True, Range 0 to 359)
SNR (C/No)	44	dB-Hz	Range 0 to 99, (null when not tracking)
....	....	....	....
Satellite ID	17		Channel 4 (Range 1 to 32)
Elevation	40	degrees	Channel 4 (Maximum 90)
Azimuth	330	degrees	Channel 4 (True, Range 0 to 359)
SNR (C/No)	44	dB-Hz	Range 0 to 99, (null when not tracking)
Checksum	*77		
<CR> <LF>			End of message termination

(Note6): One GSV sentence can only receive up to 4 SVs

**Table-9** contains the values for the following example:

\$GLGSV,4,1,15,72,45,084,40,77,39,246,44,87,36,014,44,65,33,157,36\*62

\$GLGSV,4,2,15,78,26,306,41,88,23,315,42,76,15,192,38,86,13,067,38\*64

\$GLGSV,4,3,15,71,12,035,38\*54

Table-9: GLGSV Data Format			
Name	Example	Units	Description
Message ID	\$GLGSV		GSV protocol header
Number of Messages	4		<i>(Depending on the number of satellites tracked, multiple messages of GSV data may be required.)</i> <sup>(Note7)</sup>
Message Number	1		
Satellites in View	15		
Satellite ID	72		Channel 1 (Range 1 to 32)
Elevation	45	degrees	Channel 1 (Maximum 90)
Azimuth	084	degrees	Channel 1 (True, Range 0 to 359)
SNR (C/No)	40	dB-Hz	Range 0 to 99, (null when not tracking)
....	....	....	....
Satellite ID	44		Channel 4 (Range 1 to 32)
Elevation	65	degrees	Channel 4 (Maximum 90)
Azimuth	157	degrees	Channel 4 (True, Range 0 to 359)
SNR (C/No)	36	dB-Hz	Range 0 to 99, (null when not tracking)
Checksum	*62		
<CR> <LF>			End of message termination

(Note7): One GSV sentence can only receive up to 4 SVs

## RMC—Recommended Minimum Navigation Information

**Table-10** contains the values for the following example:

\$GNRMC,064951.000,A,2307.1256,N,12016.4438,E,0.03,165.48,260406,3.05,W,A\*2C

Table-10: RMC Data Format			
Name	Example	Units	Description
Message ID	\$GNRMC		RMC protocol header
UTC Time	064951.000		hhmmss.sss
Status	A		A→data valid or V→data not valid
Latitude	2307.1256		ddmm.mmmm
N/S Indicator	N		N→North or S→South
Longitude	12016.4438		dddmm.mmmm
E/W Indicator	E		E→East or W→West
Speed over Ground	0.03	knots	
Course over Ground	165.48	degrees	True
Date	260406		ddmmyy
Magnetic Variation	3.05, W	degrees	E→East or W→West <i>(By Customization Service)</i>
Mode	A		A→ Autonomous mode D→Differential mode E→Estimated mode
Checksum	*2C		
<CR> <LF>			End of message termination

Note: when inputting the commend \$PMTK353,0,1,0,0,0\*2A , \$GNRMC will change to \$GLRMC (GLONASS only).

When inputting the commend \$PMTK353,1,0,0,0,0\*2A : \$GNRMC will change to \$GPRMC(For GPS).

**VTG—Course and speed information relative to the ground**

**Table-11** contains the values for the following example:

\$GNVTG,165.48,T,,M,0.03,N,0.06,K,A\*37

Table-11: VTG Data Format			
Name	Example	Units	Description
Message ID	\$GNVTG		VTG protocol header
Course	165.48	degrees	Measured heading
Reference	T		True
Course		degrees	Measured heading
Reference	M		Magnetic Variation <i>(By Customization Service)</i>
Speed	0.03	knots	Measured horizontal speed
Units	N		Knots
Speed	0.06	km/hr	Measured horizontal speed
Units	K		Kilometers per hour
Mode	A		A → Autonomous mode D → Differential mode E → Estimated mode
Checksum	*37		
<CR> <LF>			End of message termination



## 3.2 MTK NMEA Command Protocols

### Packet Type:

103 PMTK\_CMD\_COLD\_START

### Packet Meaning:

Cold Start : Don't use Time, Position, Almanacs and Ephemeris data at re-start.

### Example:

\$PMTK103\*30<CR><LF>

## 3.3 Firmware Customization Services

GlobalTop also offers flexible, value-adding GPS firmware customization services that maximize the overall system efficiencies and power consumptions. To find out the latest features like Binary Mode, One-Sentence Output, Geo-fencing and Last Position Retention, please visit our website at [www.gtop-tech.com](http://www.gtop-tech.com).

Note that not all firmware customization services listed below are supported for all products. Please contact GlobalTop sales representatives or technical support for more details.

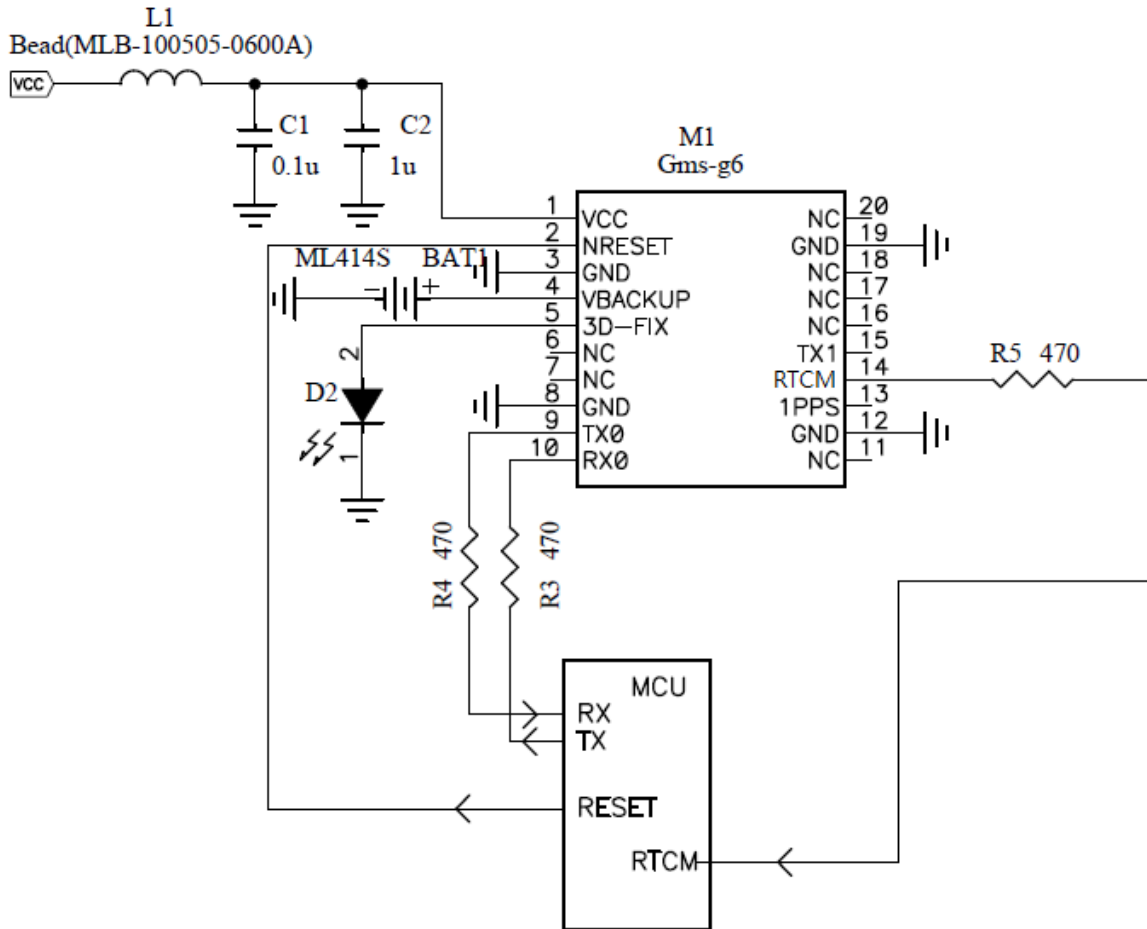
The graphic features the GlobalTop logo in the top left corner. The title "GlobalTop Firmware Customization Services" is centered at the top. Below the title, two columns of services are listed, flanking a central image of two GPS modules (one white, one orange) inside a circular frame. The left column lists "Basic functions" and the right column lists "Advanced functions".

Basic functions:	Advanced functions:
Distance calculation	10Hz Update Rate
Binary mode	Extended Altitude
One sentence	AGPS
Geo-fencing	PPS Mode
Navigation mode	Power Saving Mode
Last position retention	Locus

## 4. Reference Design

This section introduces the reference schematic design for best performance. Additional tips and cautions on design are well documented in the Application Note, which is available upon request.

### 4.1 Reference Design Circuit



**Note:**

1. Ferrite bead L1 is added for power noise reduction. You may use one with equivalent impedance 600Ω at 100MHz, IDC 200mA max.
2. C1 and C2 bypass capacitors should be placed in proximity to the module.
3. Damping resistors, R3 and R4, can be modified based on system application for EMI.
4. If you need more support and information on antenna implementation, please contact us at [sales@gtop-tech.com](mailto:sales@gtop-tech.com).

## 5. Packing and Handling

Titan 2, like any other SMD devices, is sensitive to moisture, electrostatic discharge, and temperature. By following the standards outlined in this document for GlobalTop module storage and handling, the chances of them being damaged during production set-up can be reduced. This section will walk you through the basics on how GlobalTop packages its modules to ensure they arrive at their destination without any damages and deterioration to performance quality. It includes cautionary notes for prior to the surface mount process.



**Please read the sections II to V carefully to avoid permanent damages due to moisture intake**



**GNSS receiver modules contain highly sensitive electronic circuits and are electronic sensitive devices. Improper handling without ESD protections may lead to permanent damages to the modules. Please read section VI for more details.**

### 5.1 Moisture Sensitivity

GlobalTop GNSS modules are moisture sensitive, **therefore please refer to the pre-bake conditions in Section 5.6** before going through the solder reflow process. It is also important to know that:

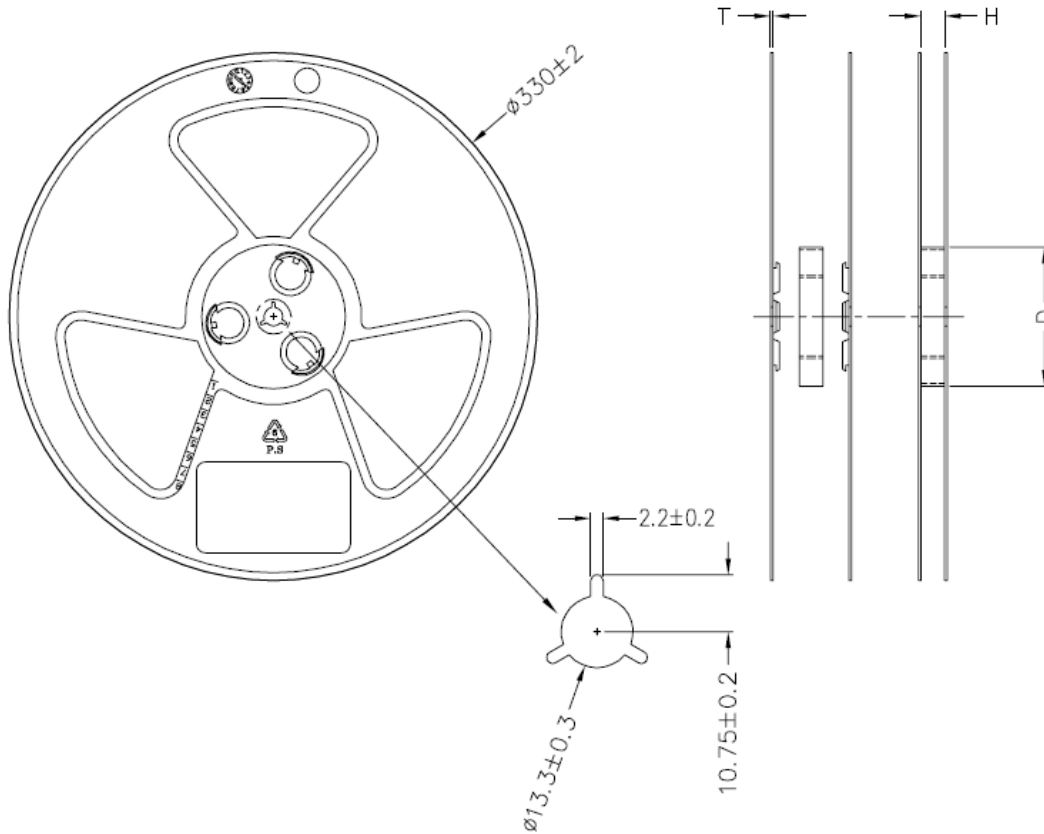
**GlobalTop GNSS modules must complete solder reflow process in 72 hours after pre-baking.**

This maximum time is otherwise known as “Floor Life”

If the waiting time has exceeded 72 hours, it is possible for the module to suffer damages during the solder reflow process such as cracks and delamination of the SMD pads due to excess moisture pressure.

## 5.2 Tape Reel Packing Information

250pcs/Reel

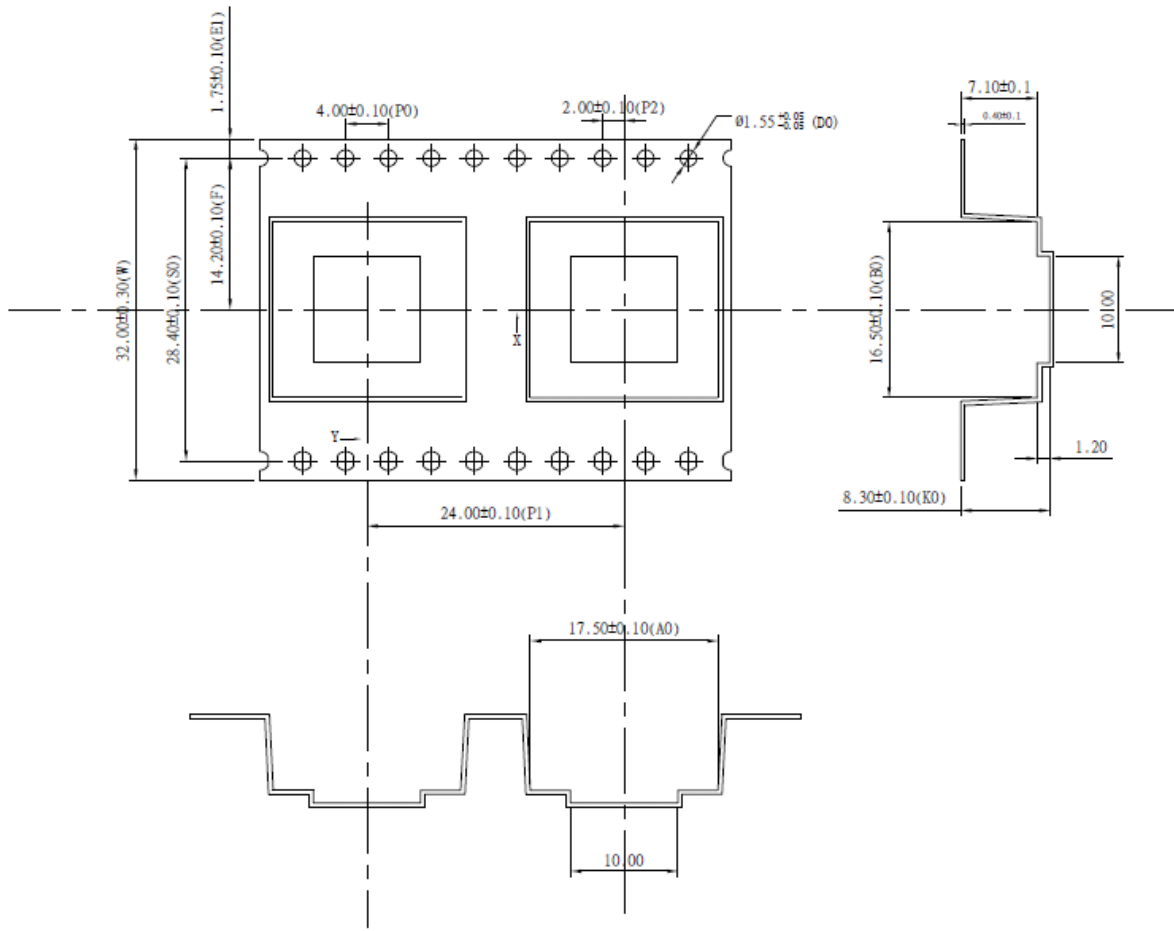


Spec: H:  $32.5 \pm 1.5$ , T:  $2.2 \pm 0.2$ , D:  $99 \pm 1.5$

Note: 13" Reel, Material: P.S

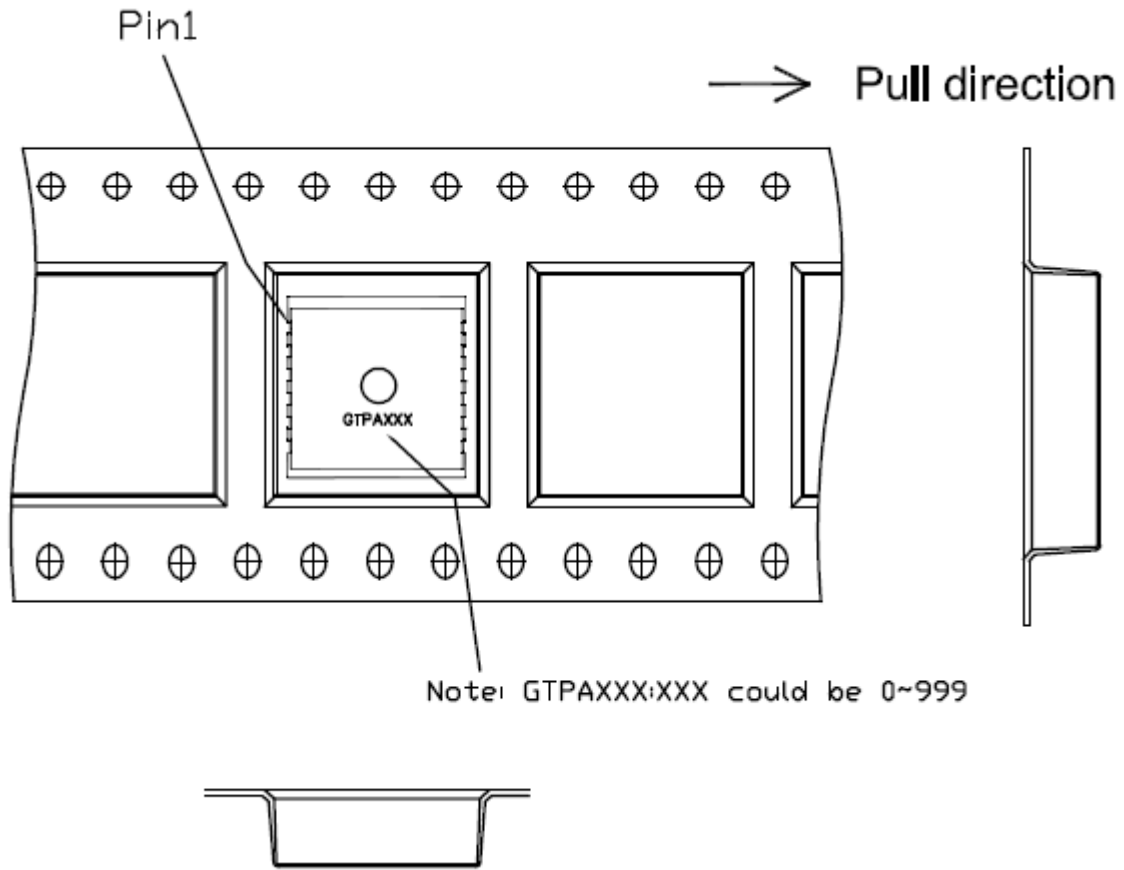
Unit: (mm)

Figure 1: Reel Dimension



A0	17.5±0.10
B0	16.5±0.10
K0	8.3±0.10

Figure 2: Tape Dimension



### Roll up direction:

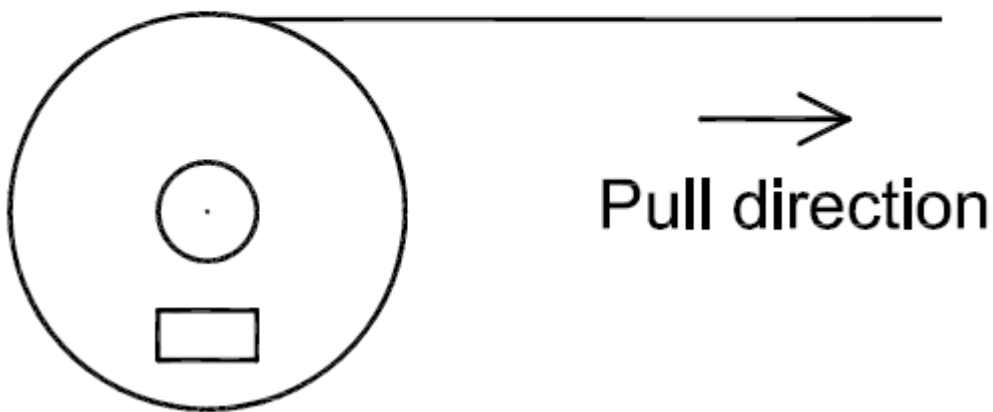




Figure 3: Tape Orientation

The moisture color coded card provides an insight to the relative humidity in percentage (RH). When the GNSS modules are taken out, it should be around or lower than 30% RH level.

Outside each electrostatic bag is a caution label for moisture sensitive device.

## Caution

**This bag contains  
MOISTURE-SENSITIVE &  
ELECTROSTATIC SENSITIVE DEVICES**






1. Calculated shelf life in package bag: 6 months at < 30 °C and < 60% relative humidity (RH).
  - a. Temperature and Humidity must be controlled in SMT production line and storage area. Temperature of 23 ° C and 60% +/-5% RH humidity are highly recommended (please refer to IPQC for more information).
2. Devices pre-baking required conditions:
  - a. If the module is not in MSL Level 4 vacuum packaging.
  - b. The package is broken or leaky, when you receive the module.
  - c. Once the humidity indicator turns blue, the pre-bake process is required.
  - d. If the package is opened after 6 months since it has been packed.
  - e. If the package is opened within 6 months but out of its Floor Life at factory ambient ≤ 30°C/60%RH.
3. After baking, devices that will be subjected to reflow solder or other high temperature process must be mounted within 72 hours of factory conditions ≤ 30°C/60% RH.
4. Peak package body temperature: 250 +0 /-5 °C
  - a. The reflow temperature and its profile data must be measured before the SMT process and match the levels and guidelines set by IPQC.
  - b. When performing solder paste printing, please check if the amount of solder paste is in excess or insufficient, as both conditions may lead to defects such as electrical shortage, empty solder, etc.
  - c. The usage of solder paste should follow "first in first out" principle. Opened solder paste needs to be monitored and recorded in a timely fashion (Please refer to IPQC for more info).

Bag Seal Date: ( \_\_\_\_\_ )

### HUMICARE<sup>®</sup>

(COBALT DICHLORIDE FREE)

EXAMINE ITEM IF Blue	50%	
CHANGE DESICCANT IF Blue	40%	
WARNING IF Blue	30%	

**AVOID METAL CONTACT**  
SW0H27

Figure 3: Example of moisture color coded card and caution label

## 5.3 Storage and Floor Life Guideline

Since GlobalTop modules must undergo solder-reflow process in 72 hours after it has gone through pre-baking procedure, therefore if it is not used by then, it is recommended to store the GNSS modules in dry places such as dry cabinet.

The approximate shelf life for GlobalTop GNSS modules packages is 6 months from the bag seal date, when store in a non-condensing storage environment (<30°C/60% RH)

 **It is important to note that pre-baking becomes mandatory once GlobalTop GNSS modules meet any of the conditions listed in section 5.6 “Pr-baking Required Conditions”.**


## 5.4 Drying


When GNSS modules exposed to high temperature of solder reflow, the moisture vapor pressure inside the GNSS modules increase greatly. In order to prevent internal delaminating, cracking of the device or the “popcorn” phenomenon, it **might need** to undergo pre-baking procedure prior to any high temperature or solder reflow process. **Please refer to section 5.6 “Pre-Baking Required Conditions.”**

The recommended baking time for GlobalTop GNSS module is as follows:

**✓ 50°C for 4 hours, when based on 30-50% RF humidity condition.**

Once baked, the module’s floor life will be “reset”, and has additional 72 hours in normal factory condition to undergo solder reflow process.

 **Please limit the number of times the GNSS modules undergoes baking processes as repeated baking process has an effect of reducing the wetting effectiveness of the SMD pad contacts. This applies to all SMT devices.**

 **Oxidation Risk: Baking SMD packages may cause oxidation and/or intermetallic growth of the terminations, which if excessive can result in solderability problems during board assembly. The temperature and time for baking SMD packages are therefore limited by solderability considerations. The cumulative bake time at a temperature greater than 90°C and up to 125°C shall not exceed 96 hours. Bake temperatures higher than 125°C are not allowed.**



## 5.5 ESD Handling



**Please carefully follow the following precautions to prevent severe damage to GNSS modules.**

GlobalTop GNSS modules are sensitive to electrostatic discharges, and thus are Electrostatic Sensitive Devices (ESD). Careful handling of the GNSS modules particularly to its patch antenna (if included) and RF\_IN pin. Please follow the standard ESD safety practices stated below:

- ✓ Unless there is a galvanic coupling between the local GND and the PCB GND, then the first point of contact when handling the PCB shall always be between the local GND and PCB GND.
- ✓ Before working with RF\_IN pin, please make sure the GND is connected
- ✓ When working with RF\_IN pin, do not contact any charged capacitors or materials that can easily develop or store charges such as patch antenna, coax cable, soldering iron.
- ✓ Please do not touch the mounted patch antenna to prevent electrostatic discharge from the RF input
- ✓ When soldering RF\_IN pin, please make sure to use an ESD safe soldering iron tip.

## 5.6 Conditions Required for Pre-Baking

1. If the module is not in MSL (Moisture Sensitivity Level) Level 4 vacuum packaging.
2. The package is broken or leaky, when you receive the module.
3. Once the humidity indicator turns blue, the pre-bake process is required.
4. If the package is opened after 6 months since it has been packed.
5. If the package is opened within 6 months but out of its Floor Life at factory ambient  $\leq 30^{\circ}\text{C}$  /60%RH .

## 6. Reflow Soldering Temperature Profile

The following reflow temperature profile was evaluated by GlobalTop and has been proven to be reliable qualitatively. Please contact us beforehand if you plan to solder this component using a deviated temperature profile as it may cause significant damage to our module and your device.

All the information in this sheet can only be used only for Pb-free manufacturing process.

### 6.1 SMT Reflow Soldering Temperature Profile (Only For Your Reference)

Average ramp-up rate (25 ~ 150°C): 3°C/sec. max.

Average ramp-up rate (270°C to peak): 3°C/sec. max.

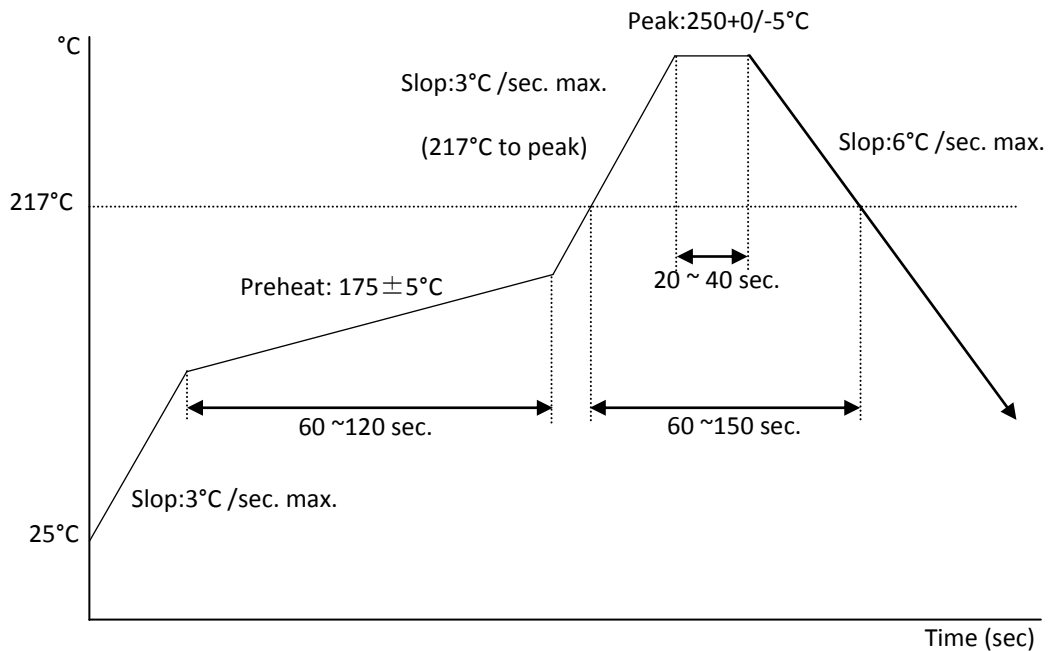
Preheat: 175 ± 25°C, 60 ~ 120 seconds

Temperature maintained above 217°C: 60~150 seconds

Peak temperature: 250 +0/-5°C, 20~40 seconds

Ramp-down rate: 6°C/sec. max.

Time 25°C to peak temperature: 8 minutes max.



	Details	Suggestions	Notes
1	Before proceeding with the reflow-soldering process, the GNSS modules <b>might need to be pre-baked. Please refer to item 5.6 "Pre-Baking Required Conditions"</b> .	Pre-bake Time: <b>4 Hours @ 50°C to 60°C.</b>	<b>The maximum tolerated temperature for the tray is 100°C.</b>  <b>After the pre-baking process, please make sure the temperature is sufficiently cooled down to 35°C or below in order to prevent any tray deformation.</b>
2	Because PCBA (along with the patch antenna) is highly endothermic during the reflow-soldering process. Extra care must be paid to the GNSS module's solder joints if any signs of cold weld(ing) or false welding.	The parameters of the reflow temperature must be set accordingly to module's reflow-soldering temperature profile.	<b>Double check to see if the surrounding components around the GNSS module are displaying symptoms of cold weld(ing) or false welding.</b>
3	Special attentions are needed for PCBA board during reflow-soldering to see if there are any symptoms of bending or deformation to the PCBA board, possibly due to the weight of the module. If so, this will cause concerns at the latter half of the production process.	A loading carrier fixture must be used with PCBA if the reflow soldering process is using rail conveyors for the production.	<b>If there is any bending or deformation to the PCBA board, this might causes the PCBA to collide into one another during the unloading process.</b>
4	Before the PCBA is undergoing a reflow-soldering process, the production operators must check with own eyes to see if there are positional offset to the module, because it will be difficult to readjust after the module has gone through reflow-soldering process.	The operators must check with own eyes and readjust the position before reflow-soldering process.	<b>If the operator is planning to readjust the module position, please do not touch the patch antenna while the module is hot in order to prevent rotational offset between the patch antenna and module</b>

**Note:** References to patch antenna is referred to GNSS modules with integrated Patch-on-top antennas (Gms Module Series), and may not be applicable to all GNSS modules.

	Details	Suggestions	Notes
5	Before handling the PCBA, they must be cooled to 35°C or below after they have undergone a reflow-soldering process, in order to prevent positional shift which may occurred when the module is still hot.	<ol style="list-style-type: none"> <li>1. One may use electric fans behind the reflow machine to cool them down.</li> <li>2. Cooling the PCBA can prevent the module from shifting due to fluid effect.</li> </ol>	<b>It is very easy to cause positional offset to the module and its patch antenna when handling the PCBA under high temperature.</b>
6	<ol style="list-style-type: none"> <li>1. When separating the PCBA panel into individual pieces using the V-Cut process, special attentions are needed to ensure that there are sufficient gap between patch antennas.</li> <li>2. If V-Cut process is not available and the pieces must be separated manually, please make sure the operators are not using excess force which may cause rotational offset to the patch antennas.</li> </ol>	<ol style="list-style-type: none"> <li>1. The blade and the patch antenna must have a distance gap greater than 0.6mm.</li> <li>2. Do not use patch antenna as the leverage point when separating the panels by hand.</li> </ol>	<ol style="list-style-type: none"> <li>1. <b>Test must be performed first to determine if V-Cut process is going to be used. Ensure that there is enough space between the blade and the patch antenna so that they do not touch one another.</b></li> <li>2. <b>An uneven amount of manual force applied to the separation will likely to cause positional shift in patch antenna and module.</b></li> </ol>
7	When separating panel into individual pieces during latter half of the production process, special attentions are needed to ensure the patch antennas do not come in contact with one another in order to prevent chipped corners or positional shifts.	Use tray to separate individual pieces.	<b>It is possible to chip corner and/or cause a shift in position if patch antennas come in contact with each other.</b>

**Note:** References to patch antenna is referred to GNSS modules with integrated Patch-on-top antennas (Gms Module Series), and may not be applicable to all GNSS modules.

**Other Cautionary Notes on Reflow-Soldering Process:**

1. Module might need to be pre-baked **before** going through SMT solder reflow process. Please refer to 5.6 Pre-Baking Required Conditions.
2. The usage of solder paste should follow “First-in-First out” principle. Opened solder paste needs to be monitored and recorded in a timely manner (refer to IPQC standards for related documentation and examples).
3. Temperature and humidity must be controlled within SMT production line and storage area. Temperature of 23°C, 60±5% RH humidity is recommended. (please refer to IPQC standards for related documentation and examples)
4. When performing solder paste printing, please notice if the amount of solder paste is in excess or insufficient, as both conditions may lead to defects such as electrical shortage, empty solder and etc.
5. Make sure the vacuum mouthpiece is able to bear the weight of the GNSS module to prevent positional shift during the loading process.
6. Before the PCBA is going through the reflow-soldering process, the operators should check with his/her own eyes to see if there are positional offset to the module.
7. The reflow temperature and its profile data must be measured before the SMT process and match the levels and guidelines set by IPQC.
8. If SMT protection line is running a double-sided process for PCBA, please process GNSS module during the second pass only to avoid repeated reflow exposures of the GNSS module. Please contact GlobalTop beforehand if you must process GNSS module during the 1<sup>st</sup> pass of double-side process.

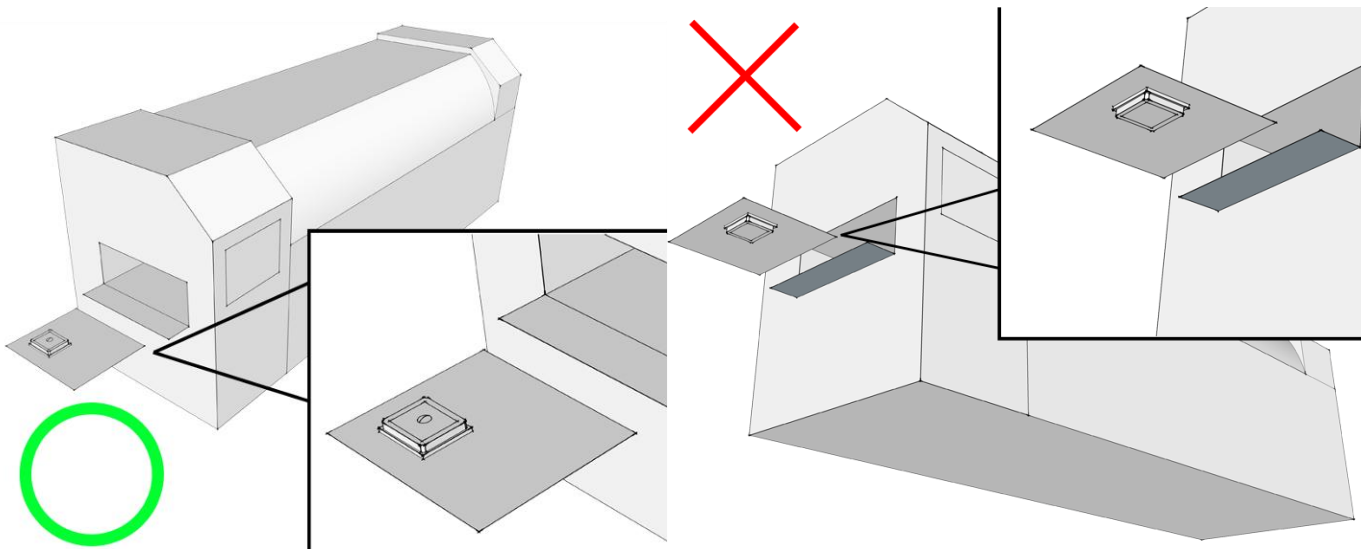


Figure 5: Place GNSS module right-side up when running reflow-solder process, do not invert.

## 6.2 Manual Soldering

### Soldering iron:

Heat temperature: under 380°C | Time: under 3 sec.

### Notes:

1. Please do not directly touch the soldering pads on the surface of the PCB board to prevent further oxidation
2. The solder paste must be defrosted to room temperature before use so it can return to its optimal working temperature. The time required for this procedure is unique and dependent on the properties of the solder paste used.
3. The steel plate must be properly assessed before and after use, so its measurement stays strictly within the specification set by SOP.
4. Please watch out for the spacing between soldering joint, as excess solder may cause electrical shortage
5. Please exercise with caution and do not use extensive amount of flux due to possible siphon effects on neighboring components, which may lead to electrical shortage.
6. Please do not use the heat gun for long periods of time when removing the shielding or inner components of the GNSS module, as it is very likely to cause a shift to the inner components and will leads to electrical shortage.

## 7. Contact Information

### GlobalTop Technology Inc.

**Address:** No.16 Nan-ke 9th Road Science-based Industrial Park, Tainan 741, Taiwan

**Tel:** +886-6-5051268

**Fax:** +886-6-5053381

**Website:** [www.gtop-tech.com](http://www.gtop-tech.com)

**Email:** [sales@gtop-tech.com](mailto:sales@gtop-tech.com)