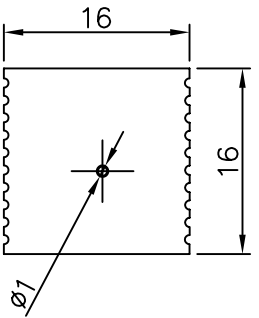
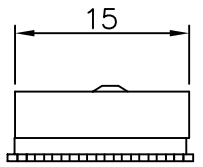
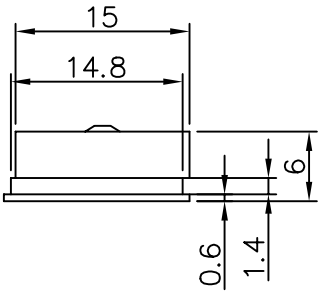
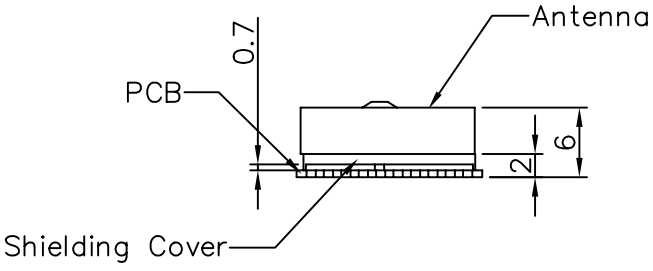
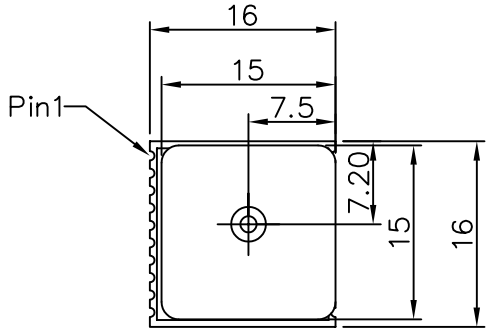


3.2/ (1.6/)

REVISIONS			
REV.	DESCRIPTION	BY	DATE
A	New	Joe	99/07/15



MATERIAL:		FINISH:		TITLE: 9903-Gms u1LP					
201 ABOVE	±0.3	x ±1.0°	DRN:	Joe	PART NAME: 組裝圖				
101-200	±0.25		CHK:	Ethan	UNIT	SCALE	SHEET		
51-100	±0.2		APPRO:	Collin	mm				
31-50	±0.15								
30 BELOW	±0.1								
RANGE	TOLERANCE	ANGLES	GlobalTop Technology Inc.		PART NO.	GT5RK00927	REV A	SIZE A4	