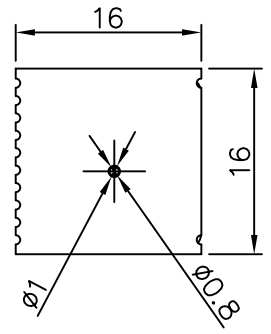
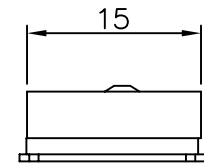
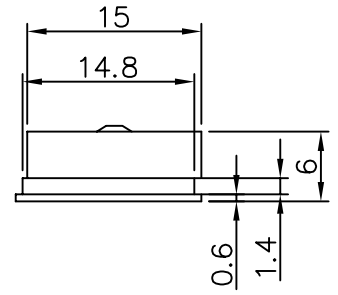
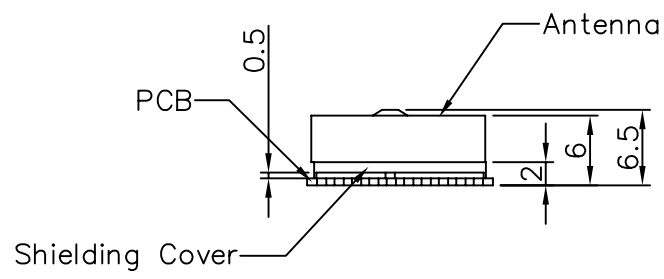
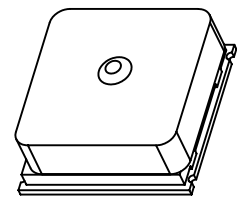
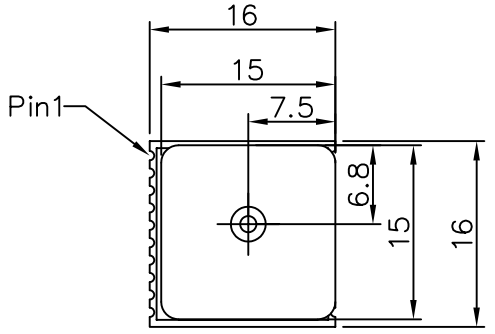


3.2 / (1.6)

REVISIONS			
REV.	DESCRIPTION	BY	DATE
A	新機種開發	李家彰	97/07/11
B	新機種共用	張家豪	98/02/08



MATERIAL:		FINISH:		TITLE: 9718-PA6 / 9803-PA6B / 9807-PA6E					
201 ABOVE	±0.3	X ±0.1* X.X ±0.5*	DRN:	張家豪	PART NAME: 組裝圖				
101-200	±0.25		CHK:	Delano	UNIT	SCALE	SHEET		
51-100	±0.2		APPRO:	Collin	mm				
31-50	±0.15								
30 BELOW	±0.1								
RANGE		TOLERANCE	ANGLES						
GlobalTop Technology Inc.				PART NO.	GT5RK00855		REV B	SIZE A4	