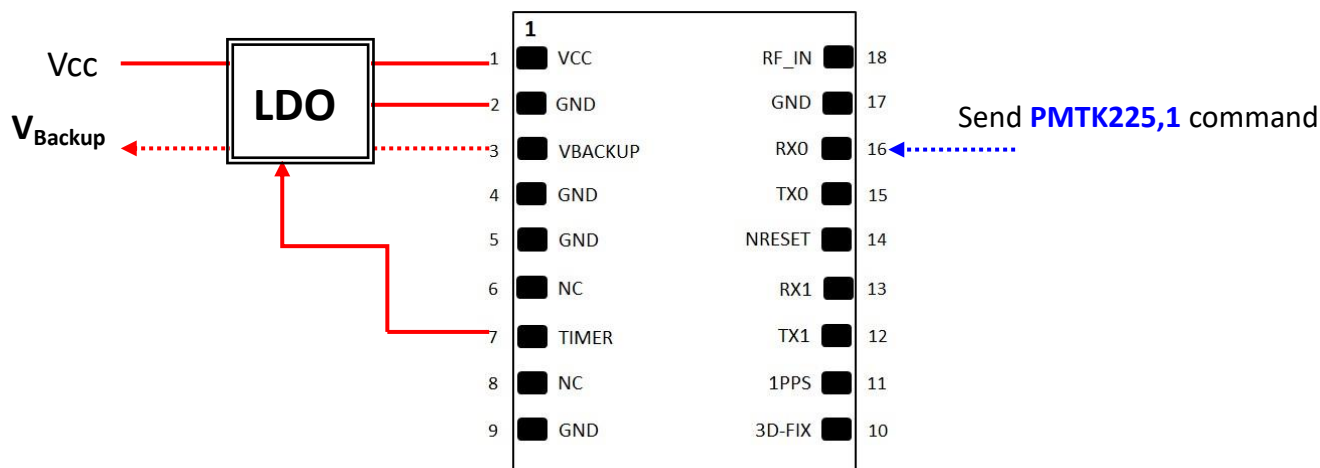


SA1209 Timer function

The SA1209 module must be connected one LDO for power off/on module for enter periodic/perpetual backup mode.

1. Periodic backup mode:



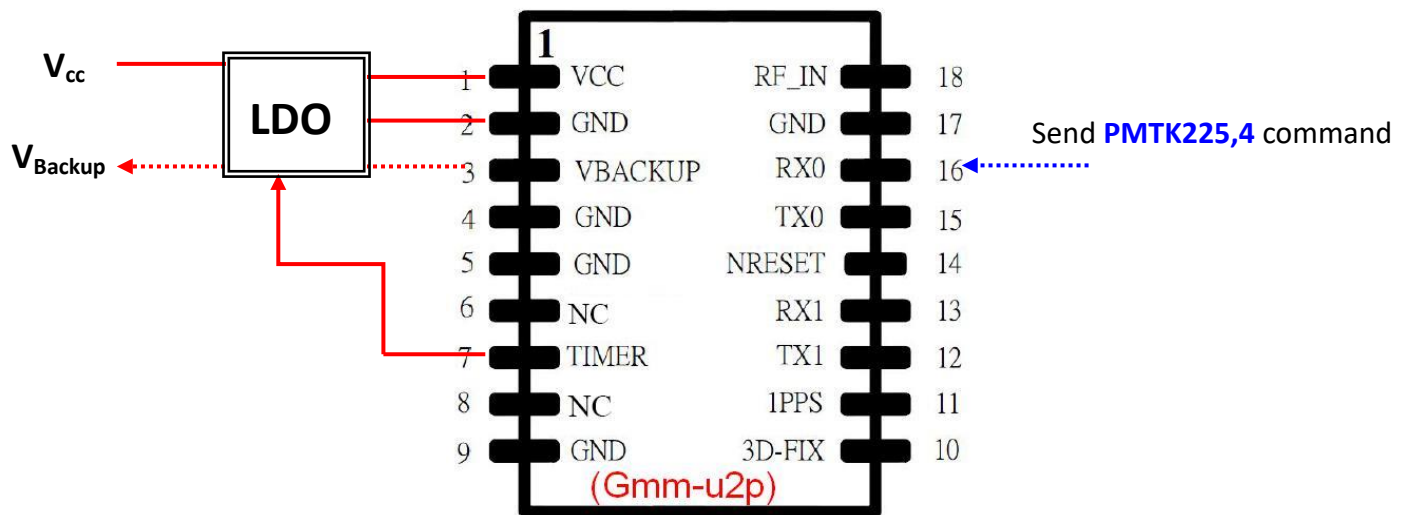
1.1 When send PMTK225,1 command to SA1209 module that Timer pin will send Hi/Lo pulse to LDO for let module enter backup mode

1.2 Example: `$PMTK225,1,3000,12000,8000,72000*16<CR><LF>` command

The command let:

- Timer pin in Hi state 3 second that mean the SA1209 run 3 second by LDO power on GPS module
- Then Timer pin in Lo state 12 second that mean the SA1209 sleep time 12 second by LDO power off GPS module.
- Then SA1209 in Hi state again that run time 8 sec by LDO power on GPS module again
- Then Timer pin in Lo state 72 second that mean the SA1209 sleep time 72 second by LDO power off GPS module again.
- Repeated this cycle, run 3sec – Sleep 12sec – run 8sec – sleep 72sec – run 3sec -- Sleep 12sec – run 8sec.....

2. Perpetual backup mode:



- 2.1 When send PMTK225,4 command to SA1209 module that Timer pin will send Lo pulse to LDO for let module enter perpetual backup mode.
- 2.2 SA1209 module enter perpetual backup mode, that mean SA1209 always enter sleep state.
- 2.3 If you need to wake up the module that must through external trigger to enable LDO for power on GPS module.