

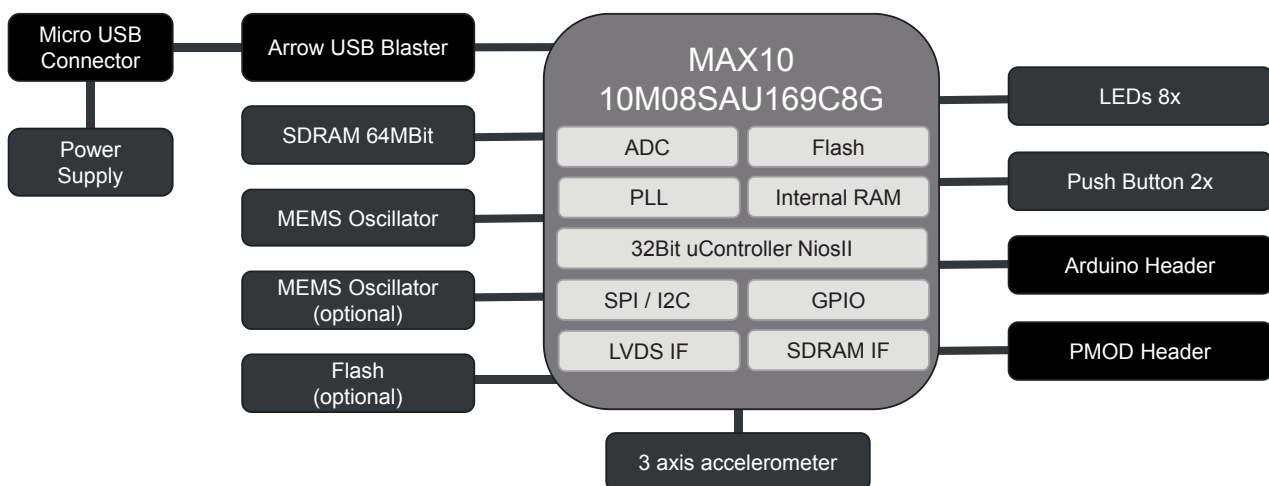
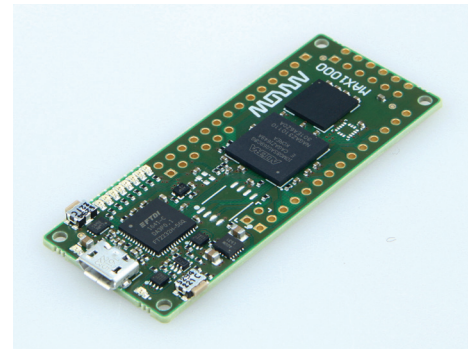
Components – EMEA

MAX1000 – IoT/Maker Board

Arrow FPGA IoT Maker Board – MAX1000

Lowest Cost MAX10 Intel FPGA Board

The MAX1000 board is an IoT/Maker board, based on the MAX10 FPGA from Intel, ready for use in an end product. With the implemented Arrow USB Blaster it is also a fully featured plug and play solution without any additional costs. It is available as a standard version, but can also be ordered in a customized variant depending on your requirements. The MAX1000 is also the perfect approach for various applications based on microcontroller soft cores like NiosII and for new FPGA engineers.



The MAX10 provides for a complete solution with all necessary features, like single supply, integrated ADC, 2-16kLE, internal Flash, PLL and memory interface.

MAX1000 Features:

- Lowest cost MAX10 solution on the market
- Intel MAX10 with 8kLE
- Arduino MKR standard 25x61.5mm²
- Integrated Arrow USB Blaster
- Pre-programmed Demo Application
- Fully featured plug and play FPGA board
- PMOD connector to adapt various solutions
- Qualified hardware also for real end products!!!

For more information please visit

www.arrow.com/max1000

